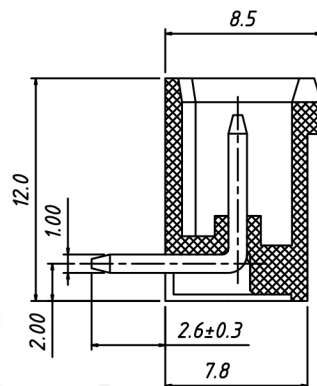


PCB LAYOUT



SECTION A-A

Material

Nut: M2.5, Brass

Pin header: Brass, Tin plated

Housing: LCP, UL94V-0, Black



Electrical

Rated voltage: 300V

Rated current: 15A

Contact Resistance: 20 mΩ

Insulation resistance: 500MΩ/DC500V

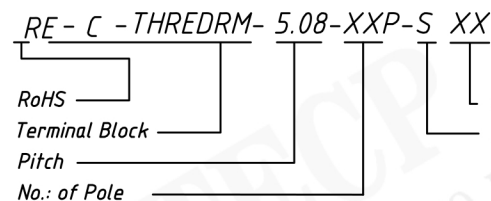
Withstand voltage: AC2000V / 1 min

Mechanical

Temp. Range: -40 °C ~ +130 °C

Soldering: 285 °C ± 5 °C for 10S

Order Information



Product Code: 00~99
Screw: S- Slot Screw
C- Cross Screw

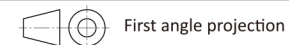


NINGBO RHT ELECTRONIC CO.,LTD

UNITS:mm

SHEET SIZE:A4

SCALE: ---



> 0 ~ 35-09-15

> 3 ~ 18

> 18 ~ 50

> 50 ~ 120

± 0.12

± 0.15

± 0.3

± 0.5

TERMINAL BLOCK