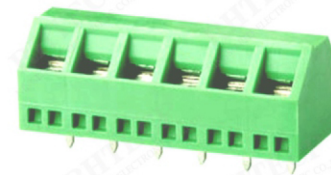


PCB LAYOUT



Material

Screw: M2.5, Steel, Zn plated
 Cage: Brass, Nickel plated
 Pin header: Brass, Tin plated
 Housing: PA66, UL94V-0

Electrical

Rated voltage: 300V
 Rated current: 15A
 Wire range: 26~14AWG 1.5mm²
 Contact Resistance: 20 mΩ
 Insulation resistance: 500MΩ/DC500V
 Withstand voltage: AC2000V / 1 min

Mechanical

Temp. Range: -40 °C ~ +105 °C
 Soldering: 250°C ±5°C for 5S
 Torque: 0.4Nm(3.54Lbin)
 Strip length: 6~7 mm

Order Information

RE - C - 107 - 5.08 - XXP - 4 S xx

RoHS

Terminal Block

Pitch

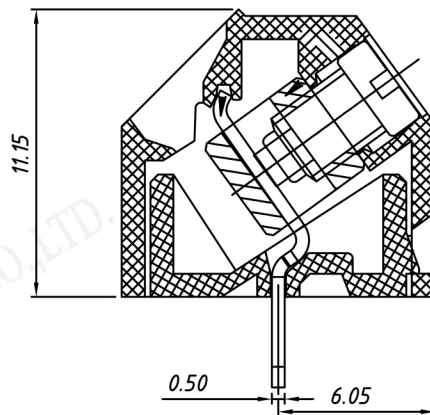
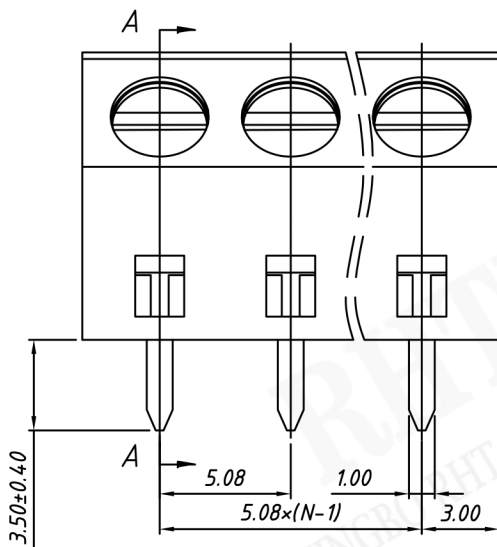
No.: of Pole

Product Code: 00~99

Screw: S-Slot Screw

C-Cross Screw

Color: 4-Green



SECTION: A-A



NINGBO RHT ELECTRONIC CO., LTD

UNITS:mm

SHEET SIZE:A4

SCALE: ---



First angle projection

> 0~3

> 3~18

> 18~50

> 50~120

± 0.12

± 0.15

± 0.3

± 0.5

TERMINAL BLOCK