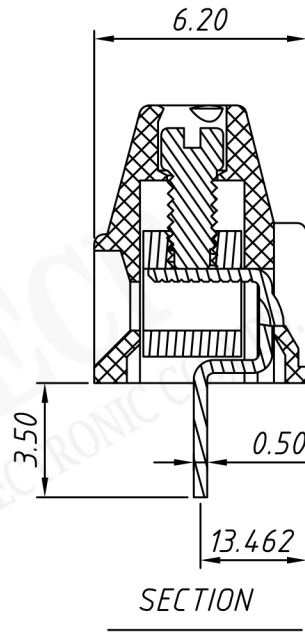
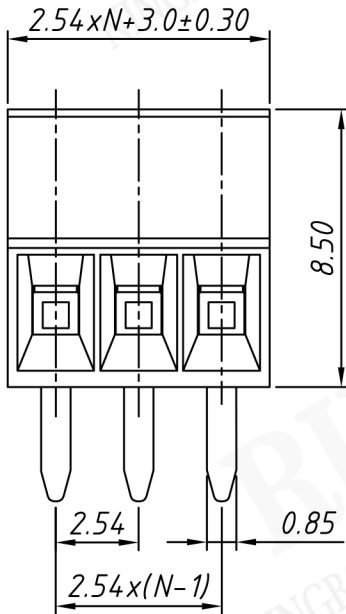


PCB LAYOUT



SECTION

Material

Screw: M1.5, steel, Zn plated

Cage: Brass, Nickel plated

Pin header: Brass, Tin plated

Housing: PA66, UL94V-0, Green



Electrical

Rated voltage: 125V

Rated current: 6A

Wire range: 28 ~ 18AWG 1.0mm²

Contact Resistance: 20 mΩ

Insulation resistance: 500MΩ/DC500V

Withstand voltage: AC1250V / 1 min

Mechanical

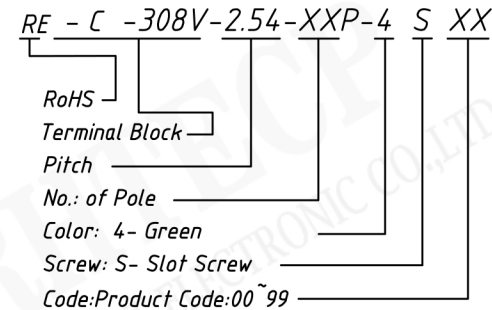
Temp. Range: -40 °C ~ +105 °C

Soldering: 250 °C 5Sec. Max.

Torque: 0.45 Nm (1.3Lb.) in

Strip length: 3.7 ~ 4.7 mm

Order Information

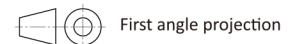


NINGBO RHT ELECTRONIC CO., LTD

UNITS:mm

SHEET SIZE:A4

SCALE: ---



> 0 ~ 3

> 3 ~ 18

> 18 ~ 50

> 50 ~ 120

± 0.12

± 0.15

± 0.3

± 0.5

TERMINAL BLOCK