

PCB LAYOUT

**Material**

Screw: M3.0, steel, Zn plated  
 Cage: Brass, Nickel plated  
 Pin header: Brass, Tin plated  
 Housing: PA66, UL94V-0, Green



**Electrical**

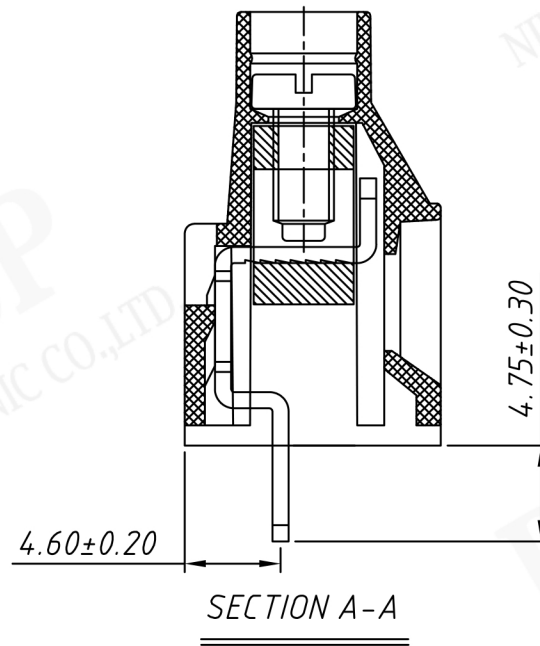
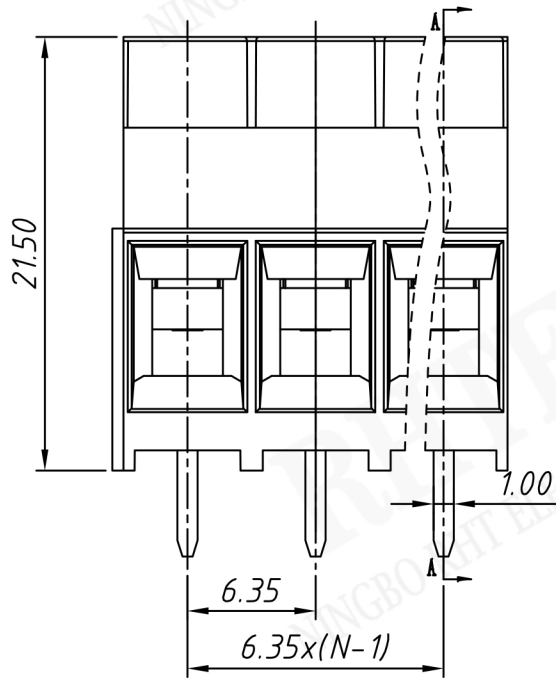
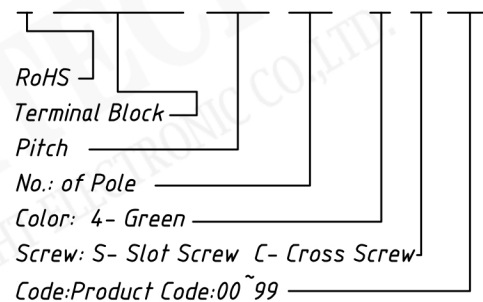
Rated voltage: 300V  
 Rated current: 30A  
 Wire range: 24~10AWG 4mm<sup>2</sup>  
 Contact Resistance: 20 mΩ  
 Insulation resistance: 500MΩ/DC1000V  
 Withstand voltage: AC2000V / 1min

**Mechanical**

Temp. Range: -40 °C ~ +105 °C  
 Soldering: 250 °C 5Sec. Max.  
 Torque: 0.5 Nm (4.43 Lb.) in  
 Strip length: 6~7 mm

**Order Information**

RE - C - 135 - 6.35 - XXP - 4 S XX



SECTION A-A

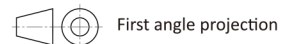


NINGBO RHT ELECTRONIC CO., LTD

UNITS:mm

SHEET SIZE:A4

SCALE: ---



> 0~3

> 3~18

> 18~50

> 50~120

± 0.12

± 0.15

± 0.3

± 0.5

TERMINAL BLOCK