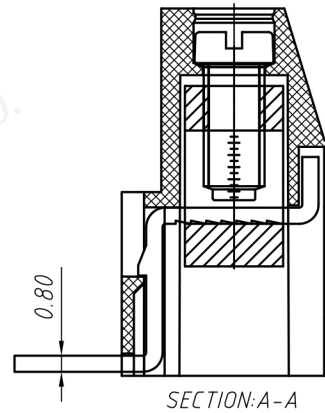
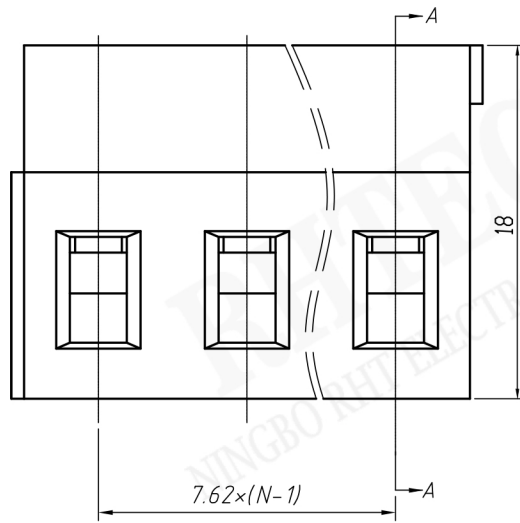


Material
Housing: PA66, UL94V-0
Clamp: Brass, Ni plated
Pin Header: Brass, Tin plated
Screw: M3.0, steel Zinc plated



Electrical
Rated voltage: 300V
Rated current: 20A
Contact Resistance: 20 mΩ
Insulation resistance: 500MΩ/DC500V
Withstand voltage: AC2000V / 1 min
Wire Range: 26~12AWG 2.5mm²

Mechanical
Temp. Range: -40 °C ~ +105 °C
Strip length: 6~7mm
Torque: 0.5Nm (4.5Lb.in)



Order Information

RE - C - 129R - 7.50 - XXP - 4 S 00

RoHS
Terminal Block
Pitch
No. of Pole
Color: 4- Green
Screw: S-Slot Screw
Product Code: 00~99



NINGBO RHT ELECTRONIC CO., LTD

UNITS:mm		SHEET SIZE:A4		SCALE: ---	
> 0~3	± 0.12	> 3~18	± 0.15	> 18~50	± 0.3
				> 50~120	± 0.5



TERMINAL BLOCK