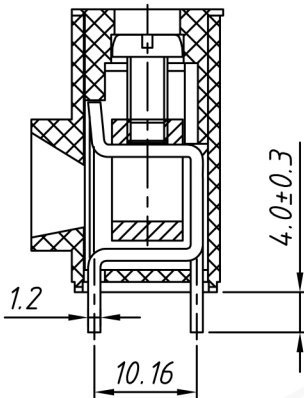
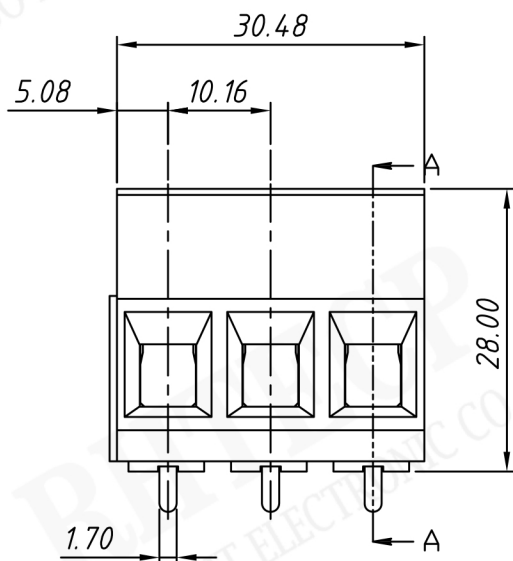


PCB LAYOUT



SECTION A-A



Material

Screw: M4.0, steel, Zn plated
 Cage: Brass, Nickel plated
 Pin header: Brass, Tin plated
 Housing: PA66, UL94V-0, Green

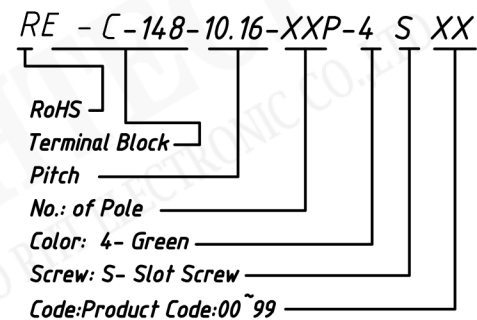
Electrical

Rated voltage: 300V
 Rated current: 52A
 Wire range: 20~6AWG 10mm²
 Contact Resistance: 20 m Ω
 Insulation resistance: 500M Ω /DC500V
 Withstand voltage: AC2000V / 1 min

Mechanical

Temp. Range: -40 °C ~ +105 °C
 Soldering: 250 °C 5Sec. Max.
 Torque: 1.2 Nm (10.5 Lb.) in
 Strip length: 9~10 mm

Order Information



NINGBO RHT ELECTRONIC CO., LTD

UNITS:mm	SHEET SIZE:A4		SCALE: ---
> 0~3	> 3~18	> 18~50	> 50~120
± 0.12	± 0.15	± 0.3	± 0.5



TERMINAL BLOCK