

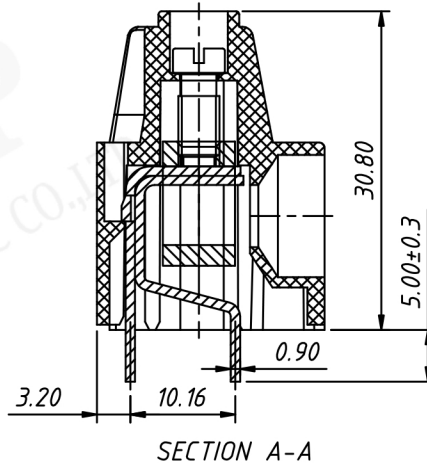
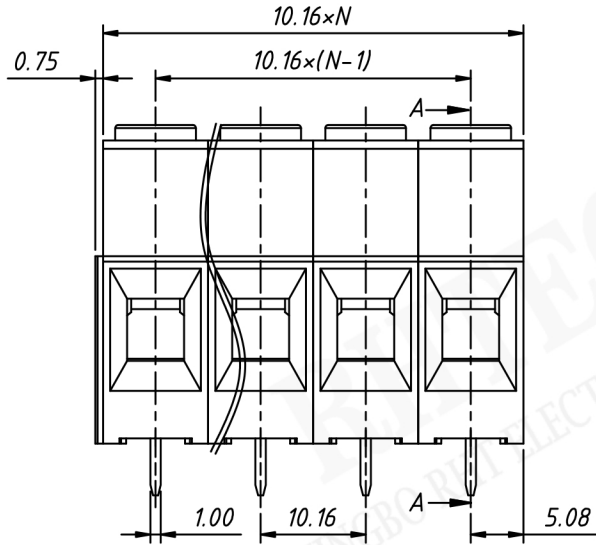
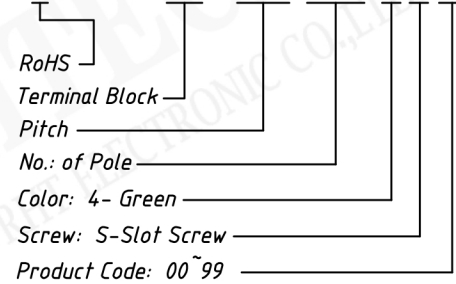
Material
 Housing: PA66, UL94V-0
 Clamp: Brass, Ni plated
 Pin Header: Brass, Tin plated
 Screw: M4.0, steel Zinc plated

Electrical
 Rated voltage: 300V
 Rated current: 60A
 Contact Resistance: 20 mΩ
 Insulation resistance: 500MΩ/DC500V
 Withstand voltage: AC3000V / 1 min
 Wire Range: 20~6AWG 10mm²

Mechanical
 Temp. Range: -40 °C ~ +105 °C
 Strip length: 10 ~ 11mm
 Torque: 1.2Nm (10.5Lb.in)

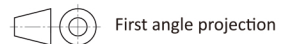
Order Information

RE - C - 151 - 10.16 - XXP - 4 S 00



NINGBO RHT ELECTRONIC CO., LTD

UNITS:mm	SHEET SIZE:A4		SCALE: ---
> 0 ~ 3	> 3 ~ 18	> 18 ~ 50	> 50 ~ 120
± 0.12	± 0.15	± 0.3	± 0.5



TERMINAL BLOCK