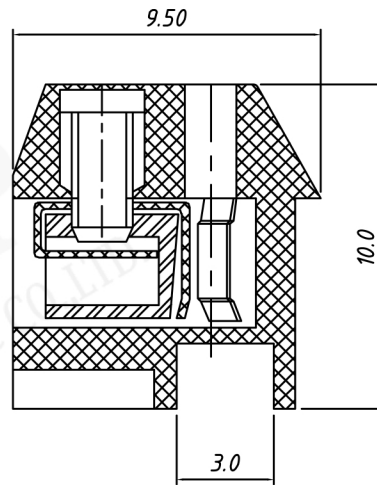
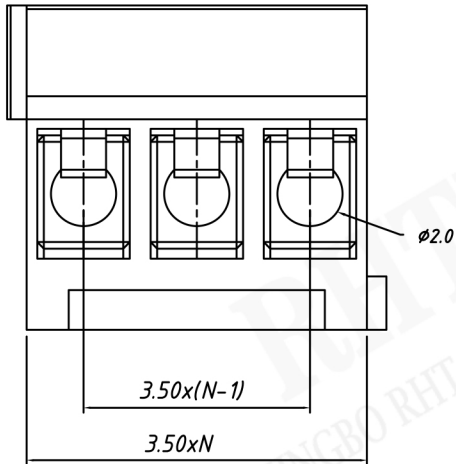


Wire range: 28~16AWG 1.5mm²
 Contact Resistance: 20 m Ω
 Insulation resistance: 500MΩ/DC500V
 Withstand voltage: AC1500V / 1 min

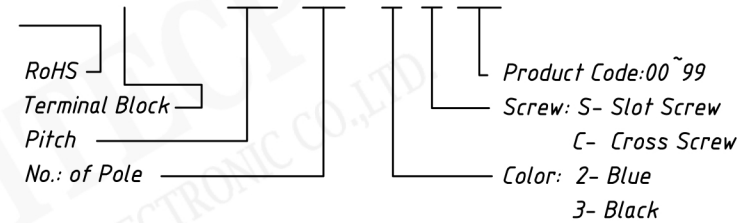
Mechanical

Temp. Range: -40 °C ~ +105 °C
 Torque: 0.4 N.m (3.5Lb. in)
 Strip length: 4.5~5 mm



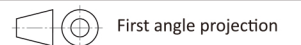
Order Information

RE - C -333K-3.50-XXP-2 S XX



NINGBO RHT ELECTRONIC CO., LTD

UNITS:mm	SHEET SIZE:A4		SCALE: ---
> 0~3	> 3~18	> 18~50	> 50~120
± 0.12	± 0.15	± 0.3	± 0.5



TERMINAL BLOCK