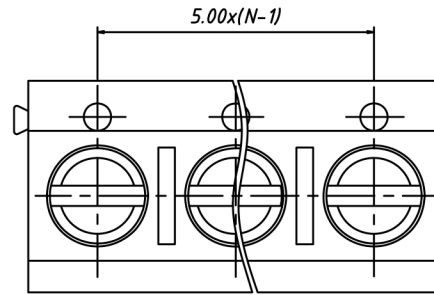


PCB LAYOUT



Material

Screw: M2.5, Steel, Zn plated
 Shrapnel: Phosphor bronze, Nickel plated
 Pin header: Brass, Tin plated
 Housing: PA66 or PBT, UL94V-0

Electrical

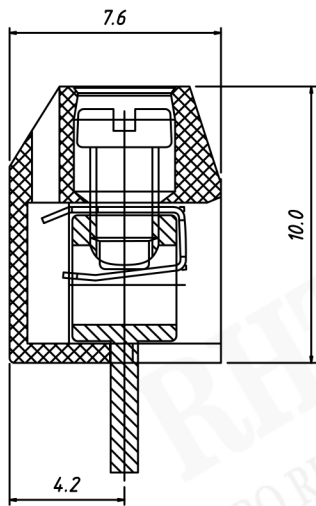
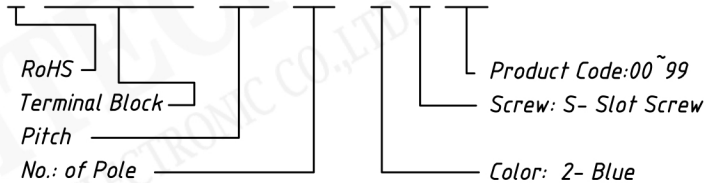
Rated voltage: 250V
 Rated current: 16A
 Wire range: 22~14AWG 1.5mm²
 Contact Resistance: 20 mΩ
 Insulation resistance: 500MΩ/DC500V
 Withstand voltage: AC2000V / 1 min

Mechanical

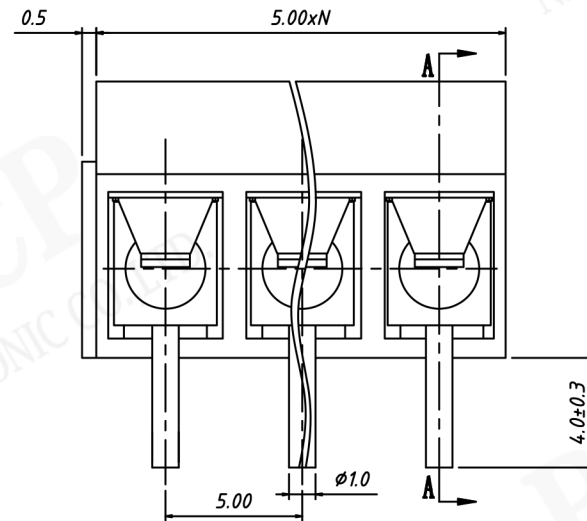
Temp. Range: -40 °C ~ +105 °C
 Soldering: 250 °C 5Sec. Max.
 Torque: 0.4 N.m (3.5Lb. in)
 Strip length: 4.5~5 mm

Order Information

RE - C - 301 - 5.00 - XXP - 2 S XX



SECTION A-A

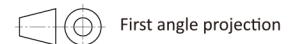


NINGBO RHT ELECTRONIC CO.,LTD

UNITS:mm

SHEET SIZE:A4

SCALE: ---



> 0~3

> 3~18

> 18~50

> 50~120

± 0.12

± 0.15

± 0.3

± 0.5

TERMINAL BLOCK