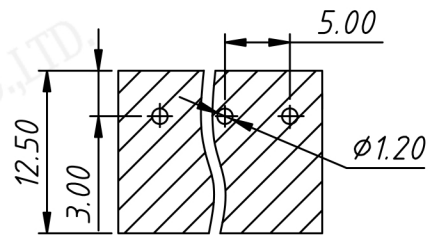
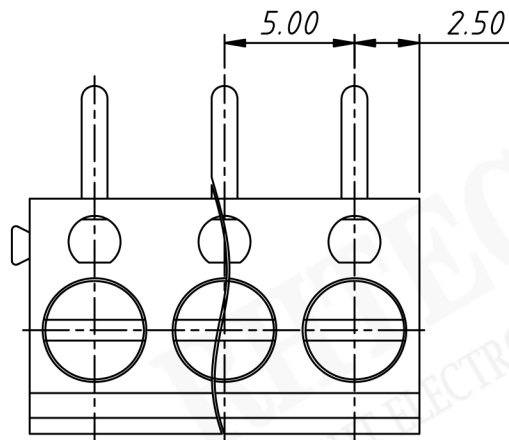


SECTION A-A



PCB LAYOUT



**Material**

Screw: M3.0, steel, Zn plated  
 Cage: Phosphor Bronze, Nickel plated  
 Pin header: Brass, Tin plated  
 Housing: PA66, UL 94V-0, Blue

**Electrical**

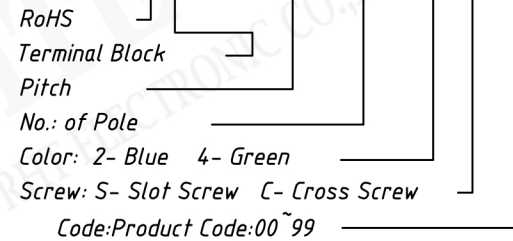
Rated voltage: 250V  
 Rated current: 16A  
 Wire range: 22~14AWG 1.5mm<sup>2</sup>  
 Contact Resistance: 20 mΩ  
 Insulation resistance: 500MΩ/DC500V  
 Withstand voltage: AC2000V / 1 min

**Mechanical**

Temp. Range: -30 °C ~ +105 °C  
 Soldering: 250 °C 5Sec. Max.  
 Torque: 0.5 N.m (4.43 Lb. in)  
 Strip length: 4.5~5 mm

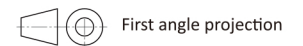
**Order Information**

RE - C - 300R - 5.00 - XXP - 2 S XX



NINGBO RHT ELECTRONIC CO., LTD

UNITS:mm		SHEET SIZE:A4		SCALE: ---	
> 0~3	> 3~18	> 18~50	> 50~120		
± 0.12	± 0.15	± 0.3	± 0.5		



TERMINAL BLOCK