



Electrical :

Rated voltage: 250V

Rated current: 10A

Contact resistance: 20mΩ

Insulation resistance: 5000MΩ/1000V

Withstanding Voltage: AC1500V/1Min

Wire range: 22-14AWG 1.5mm²

Material

Housing: Polyamide Glass Filled UL94V-0

Contact: Brass(CuZn), Nickel Plated

Screws: M2.6 steel Nickel plated

Wire guard: Beryllium Copper, Tin Plated

Mechanical

Temp. Range: -30°C ~ +105°C

Torque: 0.4Nm (3.5lb.in)

Strip length: 6mm

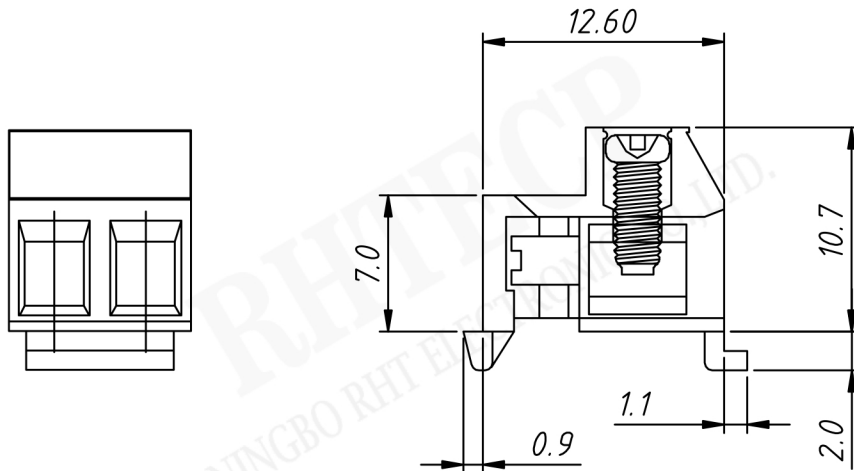
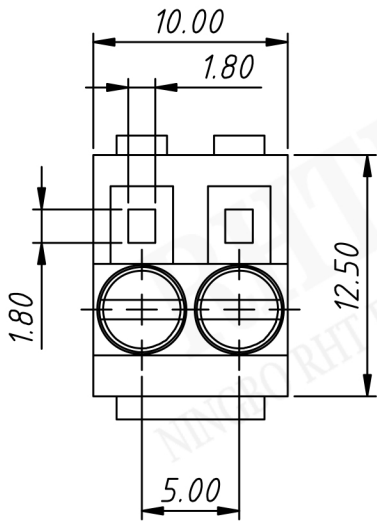
Order Information

RE - C - 331KB-5.00-XXP- 3 S

Screw: Slot Screw

Color: Black

Number of Pole: 02 ~ 24P



UNITS:mm		SHEET SIZE:A4		SCALE: ---	
> 0 ~ 3	> 3 ~ 18	> 18 ~ 50	> 50 ~ 120	> 18 ~ 50	> 50 ~ 120
± 0.12	± 0.15	± 0.3	± 0.5	± 0.3	± 0.5