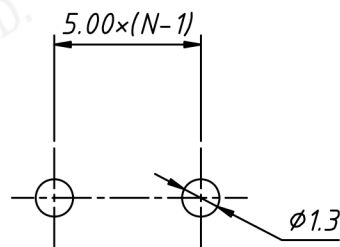
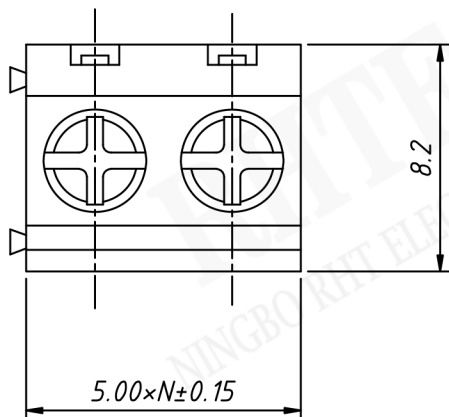


Material
 Housing: PA66, UL94V-0
 Clamp: Brass, Ni plated
 Pin Header: Brass, Tin plated
 Screw: M2.5, steel Zinc plated

Electrical
 Rated voltage: 300V
 Rated current: 8A
 Contact Resistance: 20 mΩ
 Insulation resistance: 500MΩ/DC500V
 Withstand voltage: AC2000V / 1 min
 Wire Range: 26~16AWG 1.5mm²

Mechanical
 Temp. Range: -40 °C ~ +105 °C
 Strip length: 6~7mm
 Torque: 0.4Nm (3.5Lb.in)



PCB LAYOUT

Order Information

RE - C - 127 - 5.00 - XXP - 4 S 00
 RoHS
 Terminal Block
 Pitch
 No. of Pole
 Color: 4- Green
 Screw: S-Slot Screw
 Product Code: 00~99



NINGBO RHT ELECTRONIC CO., LTD

UNITS:mm

SHEET SIZE:A4

SCALE: ---



First angle projection

> 0~3

> 3~18

> 18~50

> 50~120

± 0.12

± 0.15

± 0.3

± 0.5

TERMINAL BLOCK