

PCB LAYOUT

Material
Housing: PA66, UL94V-0
Pin header: Brass, Tin plated
Clamp: Brass, Ni plated
Screw: M2.5, steel Zinc plated

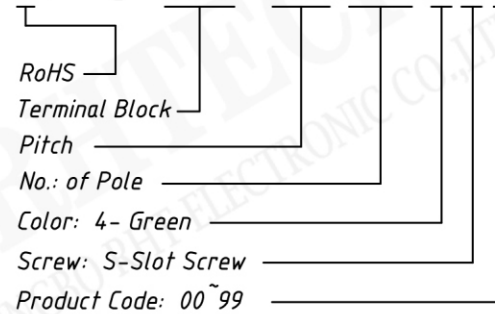


Electrical
Rated voltage: 300V
Rated current: 15A
Contact Resistance: 20 mΩ
Insulation resistance: 500MΩ/DC500V
Withstand voltage: AC2000V / 1min
Wire Range: 30~14AWG 2.5mm²

Mechanical
Temp. Range: -40 °C ~ +105 °C
Strip length: 6~7mm
Torque: 0.4Nm (3.5Lb.in)

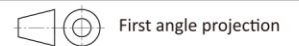
Order Information

RE - C - 128IB - 5.08 - XXP - 4 S 00

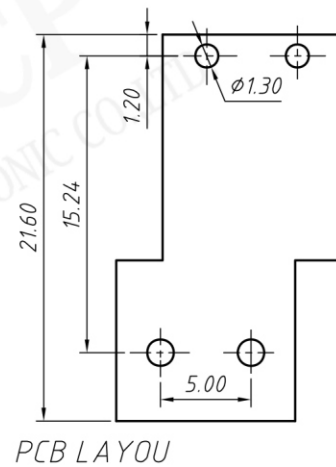
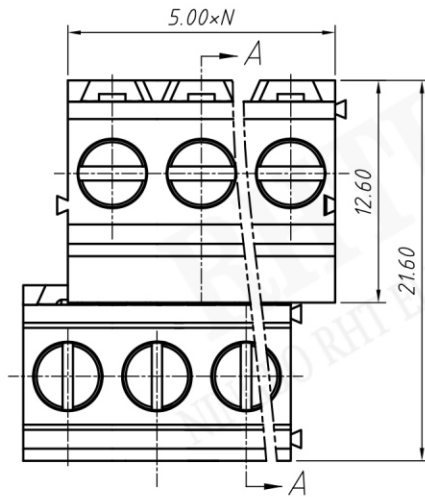
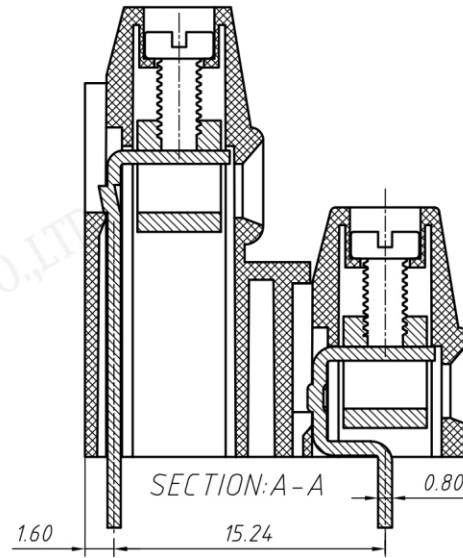
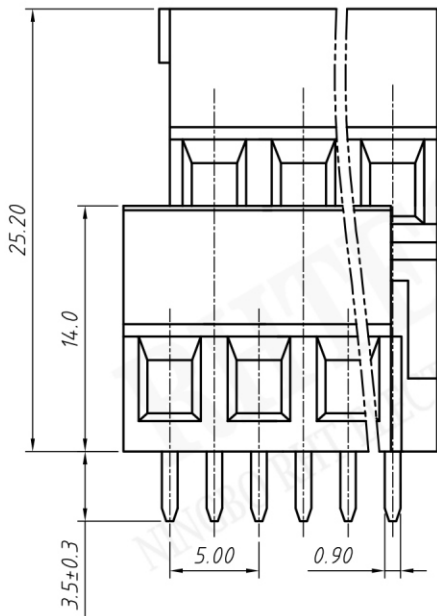


NINGBO RHT ELECTRONIC CO.,LTD

UNITS:mm	SHEET SIZE:A4		SCALE: ---
> 0~3	> 3~18	> 18~50	> 50~120
± 0.12	± 0.15	± 0.3	± 0.5



TERMINAL BLOCK



Material
 Housing: PA66, UL94V-0
 Pin header: Brass, Tin plated
 Clamp: Brass, Ni plated
 Screw: M2.5, steel Zinc plated

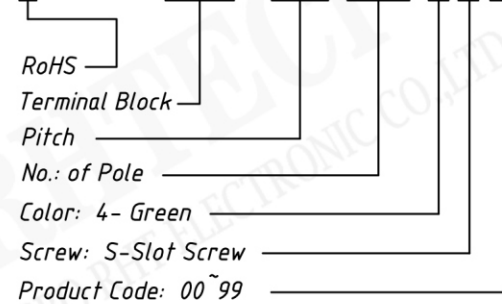


Electrical
 Rated voltage: 300V
 Rated current: 15A
 Contact Resistance: 20 mΩ
 Insulation resistance: 500MΩ/DC500V
 Withstand voltage: AC2000V / 1min
 Wire Range: 30~14AWG 2.5mm²

Mechanical
 Temp. Range: -40 °C ~ +105 °C
 Strip length: 6~7mm
 Torque: 0.4Nm (3.5Lb.in)

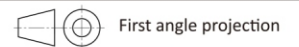
Order Information

RE - C - 1281B - 5.00 - XXP - 4 S 00



NINGBO RHT ELECTRONIC CO.,LTD

UNITS:mm	SHEET SIZE:A4		SCALE: ---
> 0~3	> 3~18	> 18~50	> 50~120
± 0.12	± 0.15	± 0.3	± 0.5



TERMINAL BLOCK