

PCB LAYOUT

Material
Housing: PA66, UL94V-0
Clamp: Brass, Ni plated
Pin Header: Brass, Tin plated
Screw: M3.0, steel Zinc plated



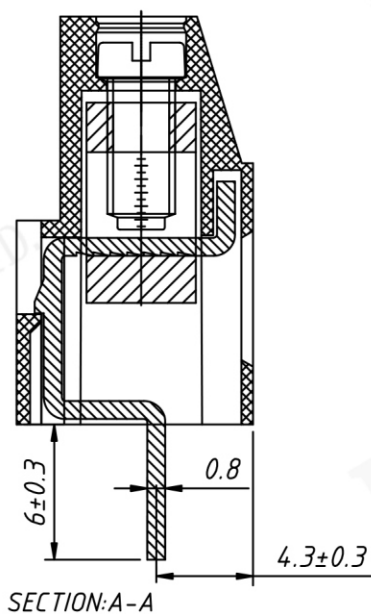
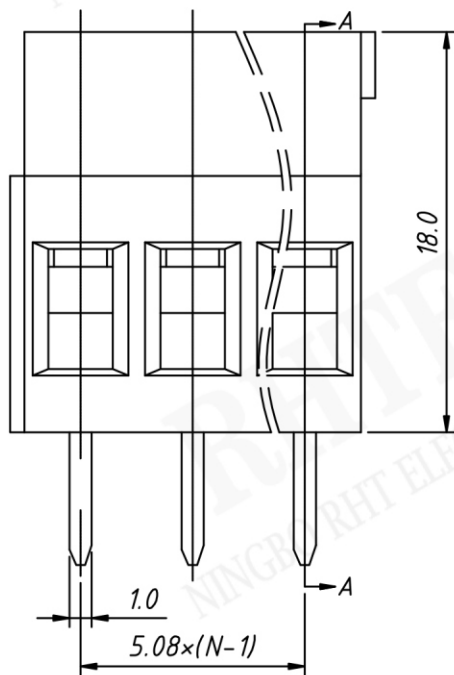
Electrical
Rated voltage: 300V
Rated current: 20A
Contact Resistance: 20 m Ω
Insulation resistance: 500M Ω /DC500V
Withstand voltage: AC2000V / 1 min
Wire Range: 26 ~ 12AWG 2.5mm²

Mechanical
Temp. Range: -40 °C ~ +105 °C
Strip length: 6 ~ 7mm
Torque: 0.5Nm (4.5Lb.in)

Order Information

RE - C - 129 - 5.08 - XXP - 4 S 00

RoHS
Terminal Block
Pitch
No.: of Pole
Color: 4- Green
Screw: S-Slot Screw
Product Code: 00 ~ 99

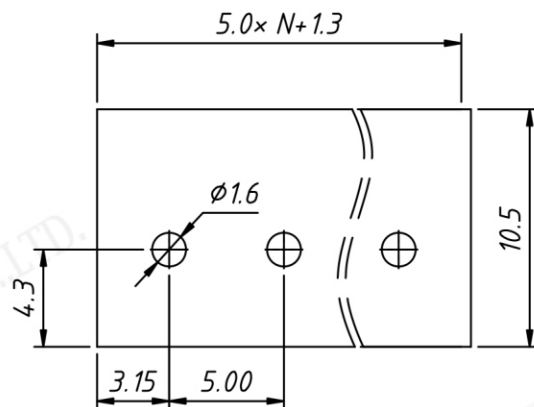
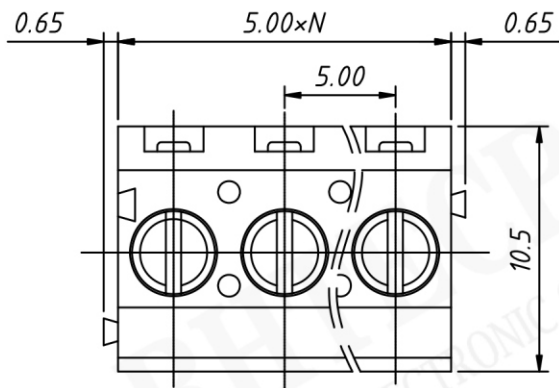


NINGBO RHT ELECTRONIC CO.,LTD

UNITS:mm	SHEET SIZE:A4		SCALE: ---
> 0 ~ 3	> 3 ~ 18	> 18 ~ 50	> 50 ~ 120
± 0.12	± 0.15	± 0.3	± 0.5



TERMINAL BLOCK



PCB LAYOUT

Material
 Housing: PA66, UL94V-0
 Clamp: Brass, Ni plated
 Pin Header: Brass, Tin plated
 Screw: M3.0, steel Zinc plated



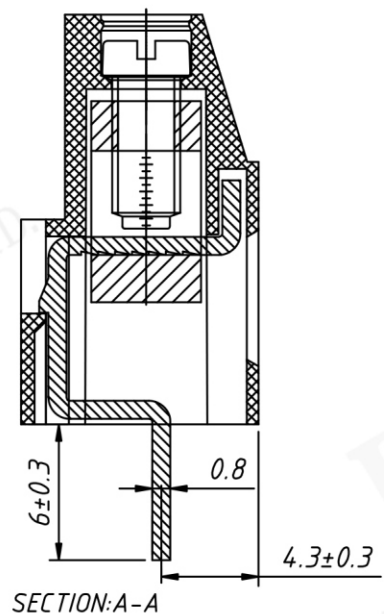
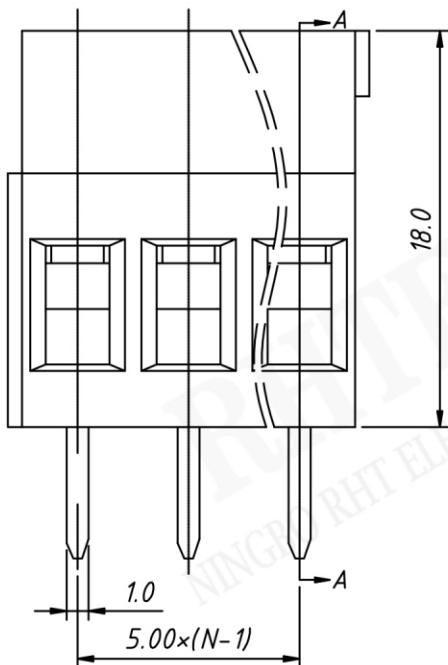
Electrical
 Rated voltage: 300V
 Rated current: 20A
 Contact Resistance: 20 mΩ
 Insulation resistance: 500MΩ/DC500V
 Withstand voltage: AC2000V / 1 min
 Wire Range: 26 ~ 12AWG 2.5mm²

Mechanical
 Temp. Range: -40 °C ~ +105 °C
 Strip length: 6 ~ 7mm
 Torque: 0.5Nm (4.5Lb.in)

Order Information

RE - C - 129 - 5.00 - XXP - 4 S 00

RoHS
 Terminal Block
 Pitch
 No.: of Pole
 Color: 4- Green
 Screw: S-Slot Screw
 Product Code: 00 ~ 99



NINGBO RHT ELECTRONIC CO.,LTD

UNITS:mm	SHEET SIZE:A4		SCALE: ---
> 0 ~ 3	> 3 ~ 18	> 18 ~ 50	> 50 ~ 120
± 0.12	± 0.15	± 0.3	± 0.5

First angle projection

TERMINAL BLOCK