

**Material**  
**Housing:** PA66, UL94V-0  
**Pin header:** Brass, Tin plated  
**Case:** Brass, Ni plated  
**Screw:** M2.5, steel Zn plated

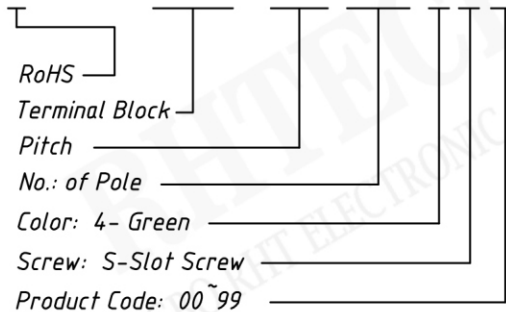


**Electrical**  
**Rated voltage:** 300V  
**Rated current:** 15A  
**Contact Resistance:** 20 m Ω  
**Insulation resistance:** 500MΩ/DC500V  
**Withstand voltage:** AC2000V / 1 min  
**Wire Range:** 30~14AWG 1.5mm<sup>2</sup>

**Mechanical**  
**Temp. Range:** -40 °C ~ +105 °C  
**Strip length:** 6~7mm  
**Torque:** 0.4Nm (3.5Lb.in)

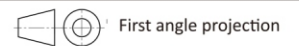
**Order Information**

RE - C - 128HH - 5.08 - XXP - 4 S 00

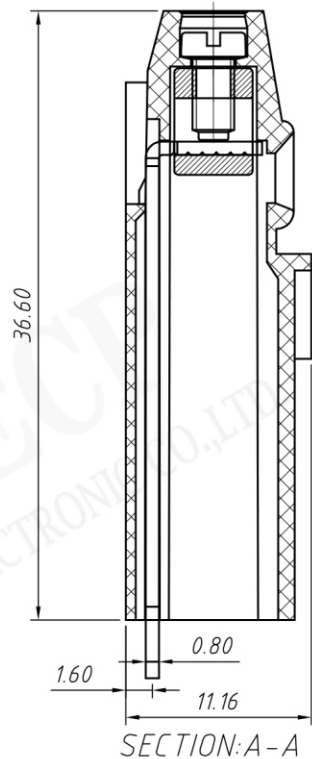
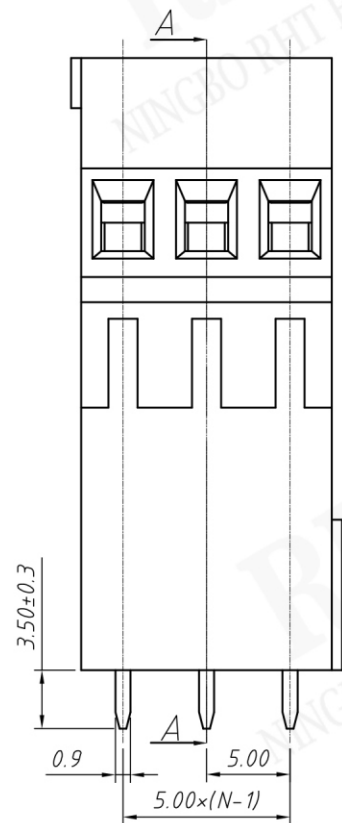
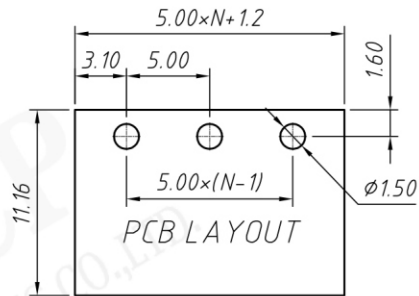
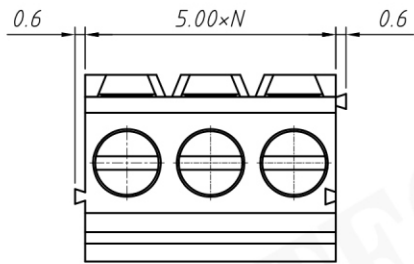


NINGBO RHT ELECTRONIC CO.,LTD

UNITS:mm	SHEET SIZE:A4		SCALE: ---
> 0~3	> 3~18	> 18~50	> 50~120
± 0.12	± 0.15	± 0.3	± 0.5



TERMINAL BLOCK



**Material**

Housing: PA66, UL 94V-0  
 Pin header: Brass, Tin plated  
 Cage: Brass, Ni plated  
 Screw: M2.5, steel Zn plated



**Electrical**

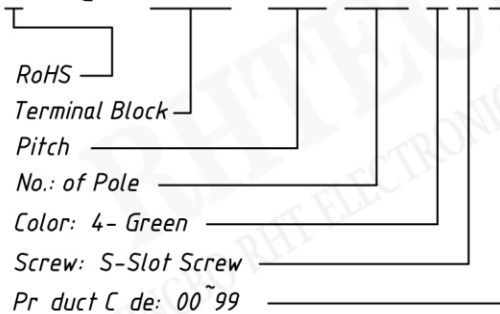
Rated voltage: 300V  
 Rated current: 15A  
 Contact Resistance: 20 mΩ  
 Insulation resistance: 500MΩ/DC500V  
 Withstand voltage: AC2000V / 1 min  
 Wire Range: 30 ~ 14AWG 1.5mm<sup>2</sup>

**Mechanical**

Temp. Range: -40 °C ~ +105 °C  
 Strip length: 6 ~ 7mm  
 Torque: 0.4Nm (3.5Lb.in)

**Order Information**

RE - C - 128HH - 5.00 - XXP - 4 S 00



NINGBO RHT ELECTRONIC CO.,LTD

UNITS:mm

SHEET SIZE:A4

SCALE: ---



> 0 ~ 3

> 3 ~ 18

> 18 ~ 50

> 50 ~ 120

± 0.12

± 0.15

± 0.3

± 0.5

TERMINAL BLOCK