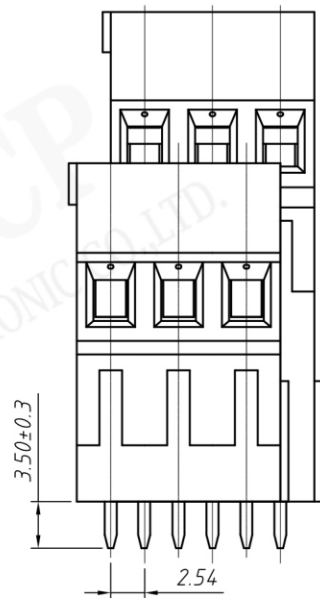
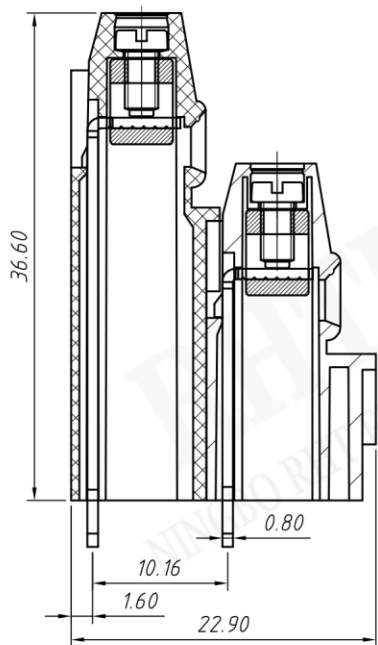
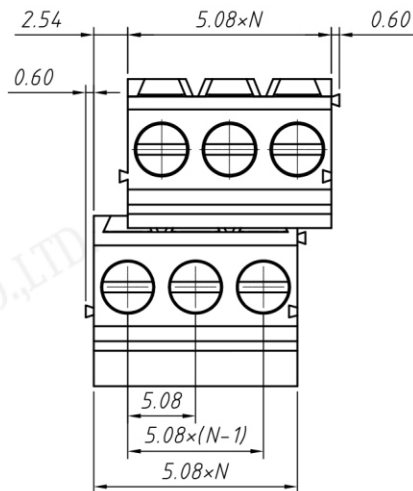


PCB LAYOUT



**Material**

Housing: PA66, UL94V-0  
 Pin header: Brass, Tin plated  
 Clamp: Brass, Ni plated  
 Screw: M2.5, steel Zinc plated



**Electrical**

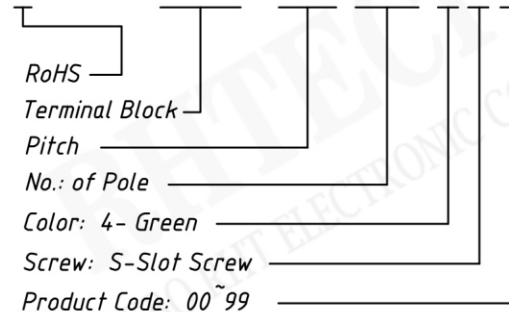
Rated voltage: 300V  
 Rated current: 15A  
 Contact Resistance: 20 mΩ  
 Insulation resistance: 500MΩ/DC500V  
 Withstand voltage: AC2000V / 1 min  
 Wire Range: 30 ~ 14AWG 2.5mm<sup>2</sup>

**Mechanical**

Temp. Range: -40 °C ~ + 105 °C  
 Strip length: 6 ~ 7mm  
 Torque: 0.4Nm (3.5Lb.in)

**Order Information**

RE - C - 128B2 - 5.08 - XXP - 4 S 00



NINGBO RHT ELECTRONIC CO.,LTD

UNITS:mm

SHEET SIZE:A4

SCALE: ---



> 0 ~ 3

> 3 ~ 18

> 18 ~ 50

> 50 ~ 120

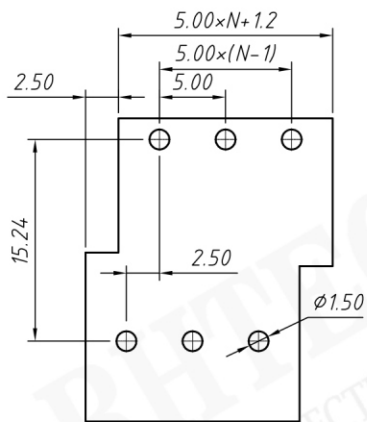
± 0.12

± 0.15

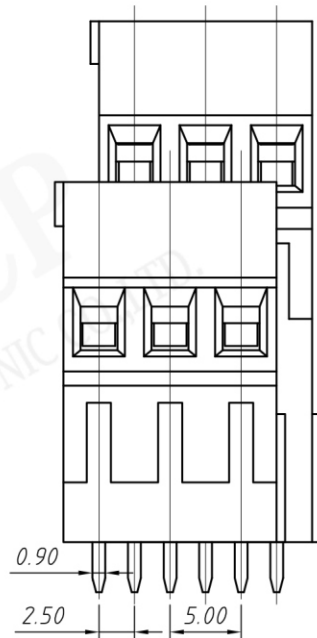
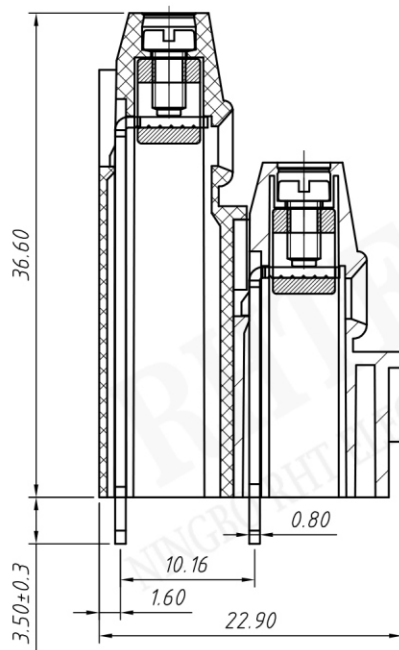
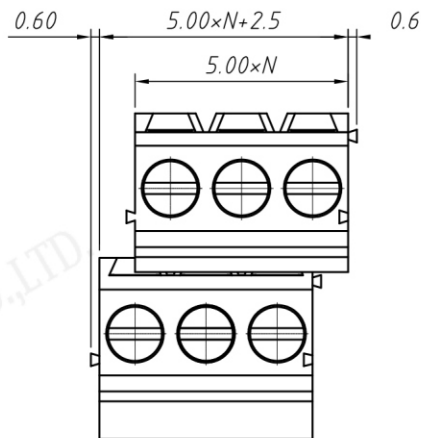
± 0.3

± 0.5

TERMINAL BLOCK



PCB LAYOUT



Material  
Housing: PA66, UL94V-0  
Pin header: Brass, Tin plated  
Clamp: Brass, Ni plated  
Screw: M2.5, steel Zinc plated



Electrical  
Rated voltage: 300V  
Rated current: 15A  
Contact Resistance: 20 m Ω  
Insulation resistance: 500MΩ/DC500V  
Withstand voltage: AC2000V / 1 min  
Wire Range: 30 ~ 14AWG 2.5mm<sup>2</sup>

Mechanical  
Temp. Range: -40 °C ~ +105 °C  
Strip length: 6 ~ 7mm  
Torque: 0.4Nm (3.5Lb.in)

Order Information

RE - C - 128B2 - 5.00 - XXP - 4 S 00

RoHS —  
Terminal Block —  
Pitch —  
No.: of Pole —  
Color: 4- Green —  
Screw: S-Slot Screw —  
Product Code: 00 ~ 99 —



NINGBO RHT ELECTRONIC CO.,LTD

UNITS:mm

SHEET SIZE:A4

SCALE: ---



> 0 ~ 3

> 3 ~ 18

> 18 ~ 50

> 50 ~ 120

± 0.12

± 0.15

± 0.3

± 0.5

TERMINAL BLOCK