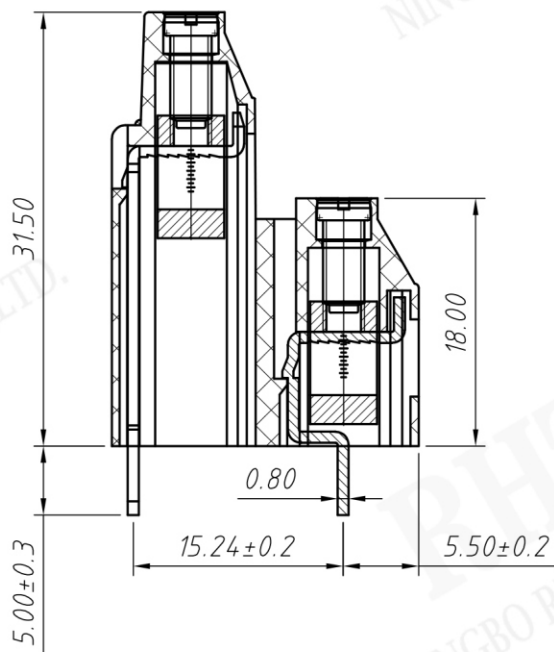
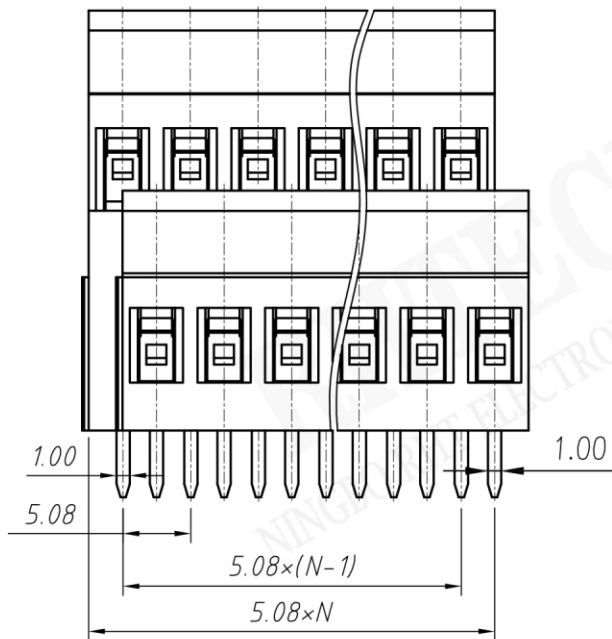


PCB LAYOUT



**Material**

Housing: PA66, UL94V-0  
 Clamp: Brass, Ni plated  
 Pin Header: Brass, Tin plated  
 Screw: M3.0, steel Zinc plated

**Electrical**

Rated voltage: 300V  
 Rated current: 20A  
 Contact Resistance: 20 mΩ  
 Insulation resistance: 500MΩ/DC500V  
 Withstand voltage: AC2000V / 1 min  
 Wire Range: 26~12AWG 2.5mm<sup>2</sup>

**Mechanical**

Temp. Range: -40 °C ~ +105 °C  
 Strip length: 6~7mm  
 Torque: 0.5Nm (4.5Lb.in)

**Order Information**

RE - C - 130A - 5.08 - XXP - 4 S 00

RoHS  
 Terminal Block  
 Pitch  
 No.: of Pole  
 Color: 4- Green  
 Screw: S-Slot Screw  
 Product Code: 00~99



NINGBO RHT ELECTRONIC CO., LTD

UNITS:mm

SHEET SIZE:A4

SCALE: ---



> 0~3

> 3~18

> 18~50

> 50~120

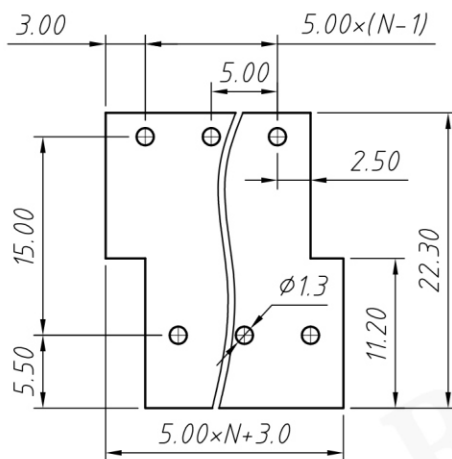
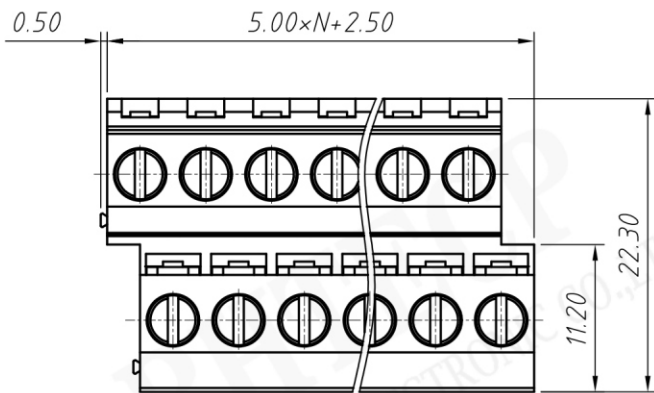
± 0.12

± 0.15

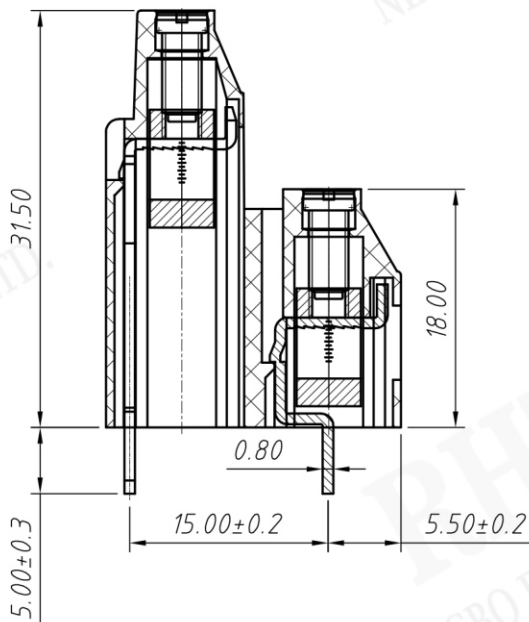
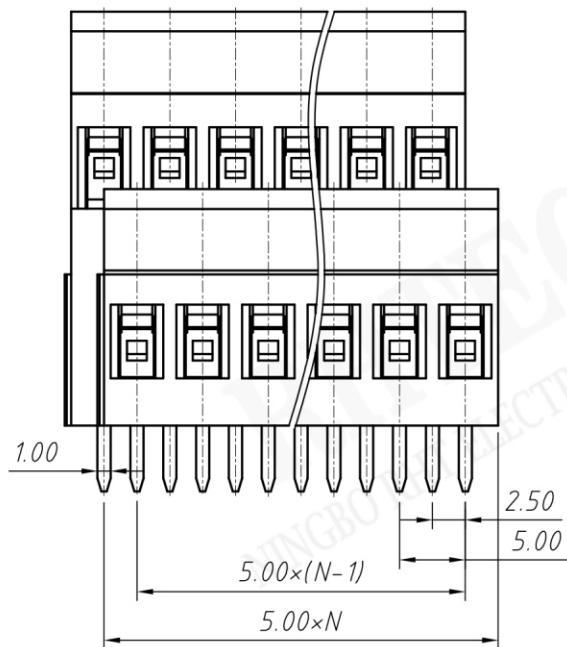
± 0.3

± 0.5

TERMINAL BLOCK



PCB LAYOUT



**Material**

Housing: PA66, UL 94V-0  
 Clamp: Brass, Ni plated  
 Pin Header: Brass, Tin plated  
 Screw: M3.0, steel Zinc plated

**Electrical**

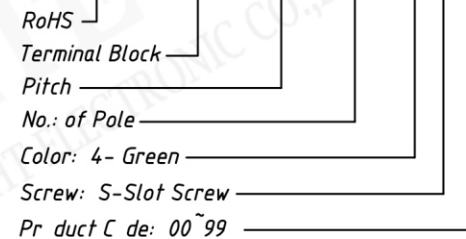
Rated voltage: 300V  
 Rated current: 20A  
 Contact Resistance: 20 mΩ  
 Insulation resistance: 500MΩ/DC500V  
 Withstand voltage: AC2000V / 1 min  
 Wire Range: 26~12AWG 2.5mm<sup>2</sup>

**Mechanical**

Temp. Range: -40 °C ~ +105 °C  
 Strip length: 6~7mm  
 Torque: 0.5Nm (4.5Lb.in)

**Order Information**

RE - C - 130A - 5.00 - XXP - 4 S 00

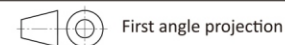


NINGBO RHT ELECTRONIC CO., LTD

UNITS:mm

SHEET SIZE:A4

SCALE: ---



> 0~3

> 3~18

> 18~50

> 50~120

± 0.12

± 0.15

± 0.3

± 0.5

TERMINAL BLOCK