



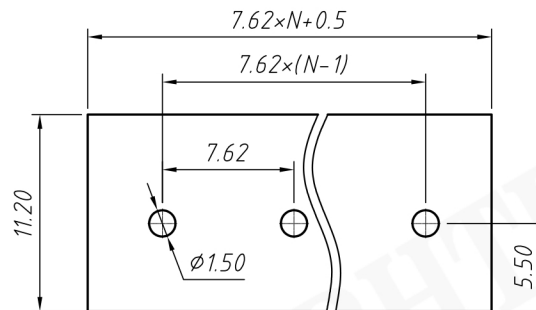
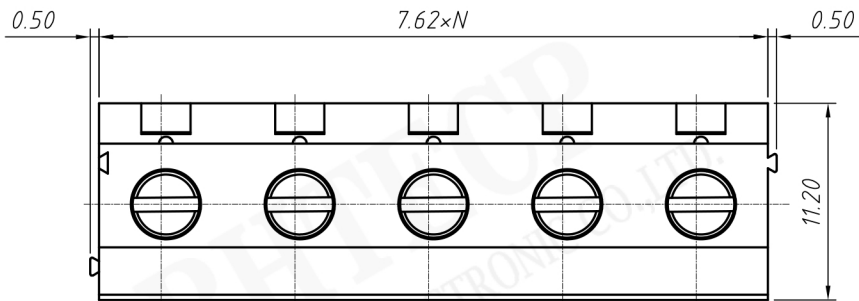
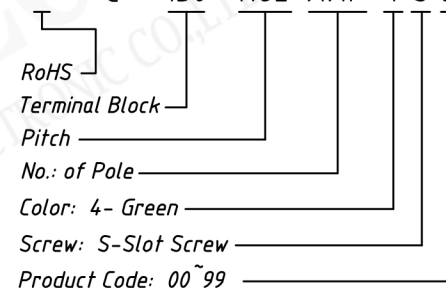
**Material**  
**Housing:** PA66, UL94V-0  
**Clamp:** Brass, Ni plated  
**Pin Header:** Brass, Tin plated  
**Screw:** M3.0, steel Zinc plated

**Electrical**  
**Rated voltage:** 300V  
**Rated current:** 20A  
**Contact Resistance:** 20 m Ω  
**Insulation resistance:** 500MΩ/DC500V  
**Withstand voltage:** AC2000V / 1min  
**Wire Range:** 26 ~ 12AWG 2.5mm<sup>2</sup>

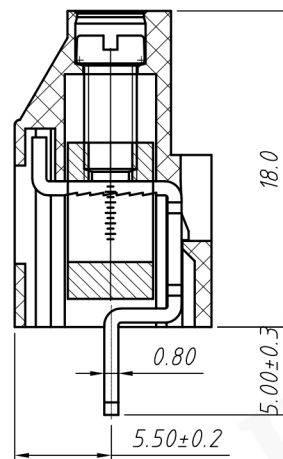
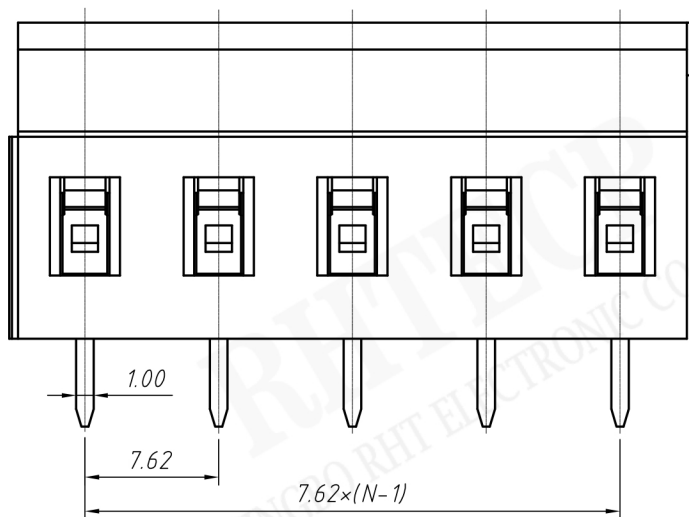
**Mechanical**  
**Temp. Range:** -40 °C ~ +105 °C  
**Strip length:** 6 ~ 7mm  
**Torque:** 0.5Nm (4.5Lb.in)

**Order Information**

RE - C - 130 - 7.62 - XXP - 4 S 00



PCB LAYOUT

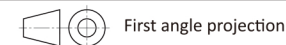


NINGBO RHT ELECTRONIC CO., LTD

UNITS:mm

SHEET SIZE:A4

SCALE: ---



First angle projection

> 0 ~ 3

> 3 ~ 18

> 18 ~ 50

> 50 ~ 120

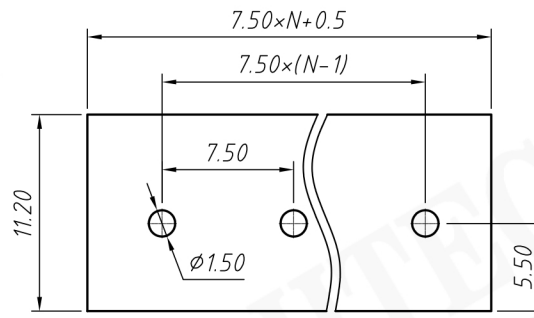
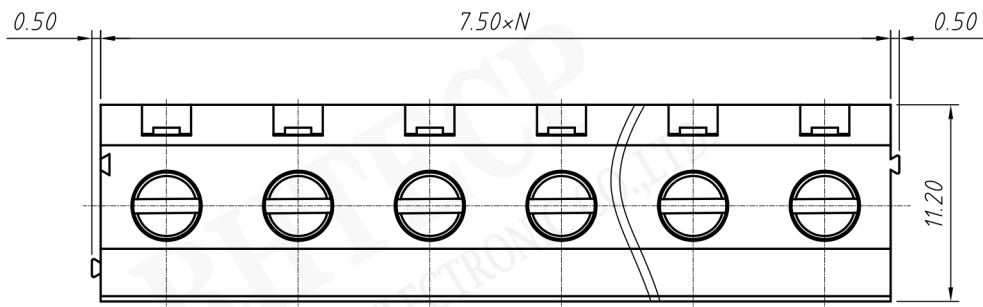
± 0.12

± 0.15

± 0.3

± 0.5

TERMINAL BLOCK



PCB LAYOUT



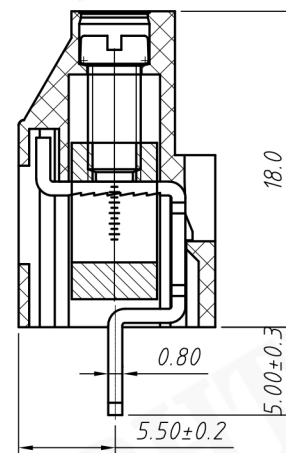
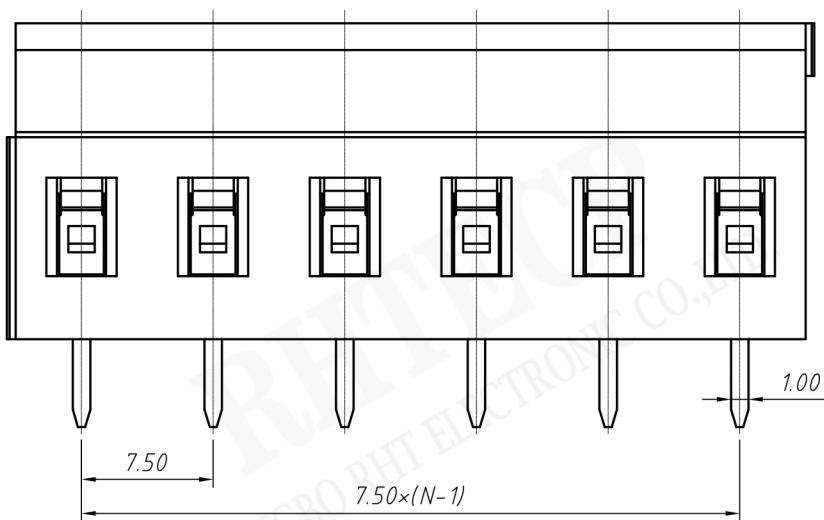
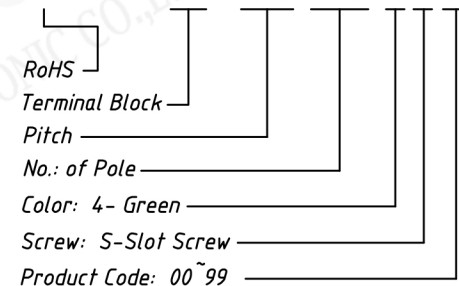
**Material**  
**Housing:** PA66, UL94V-0  
**Clamp:** Brass, Ni plated  
**Pin Header:** Brass, Tin plated  
**Screw:** M3.0, steel Zinc plated

**Electrical**  
**Rated voltage:** 300V  
**Rated current:** 20A  
**Contact Resistance:** 20 mΩ  
**Insulation resistance:** 500MΩ/DC500V  
**Withstand voltage:** AC2000V / 1 min  
**Wire Range:** 26 ~ 12AWG 2.5mm<sup>2</sup>

**Mechanical**  
**Temp. Range:** -40 °C ~ +105 °C  
**Strip length:** 6 ~ 7mm  
**Torque:** 0.5Nm (4.5Lb.in)

**Order Information**

RE - C - 130 - 7.50 - XXP - 4 S 00



NINGBO RHT ELECTRONIC CO., LTD

UNITS:mm	SHEET SIZE:A4		SCALE: ---
> 0 ~ 3	> 3 ~ 18	> 18 ~ 50	> 50 ~ 120
± 0.12	± 0.15	± 0.3	± 0.5



TERMINAL BLOCK