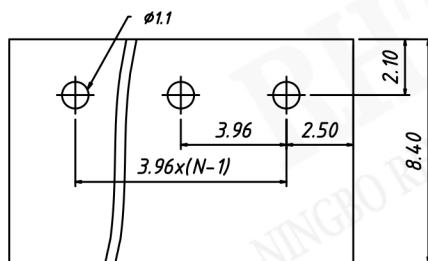


SECTION A-A



PCB LAYOUT



Material

Screw: M2, Steel, Zn plated
 Shrapnel: Phosphor bronze, Nickel plated
 Pin header: Brass, Tin plated
 Housing: PA66, UL94V-0

Electrical

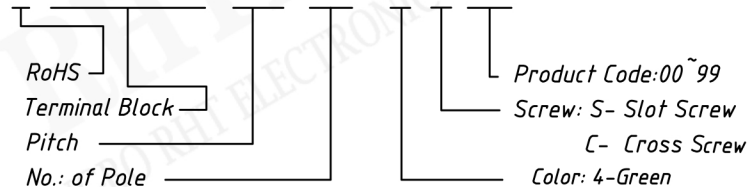
Rated voltage: 125V
 Rated current: 10A
 Wire range: 24 ~ 18AWG 1.0mm²
 Contact Resistance: 20 mΩ
 Insulation resistance: 500MΩ/DC500V
 Withstand voltage: AC2000V / 1 min

Mechanical

Temp. Range: -40 °C ~ +105 °C
 Soldering: 250°C ± 5°C for 5S
 Torque: 0.2 N.m (1.77Lb. in)
 Strip length: 4.5 ~ 5 mm

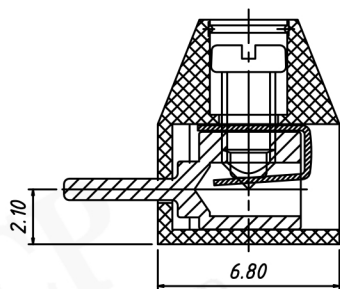
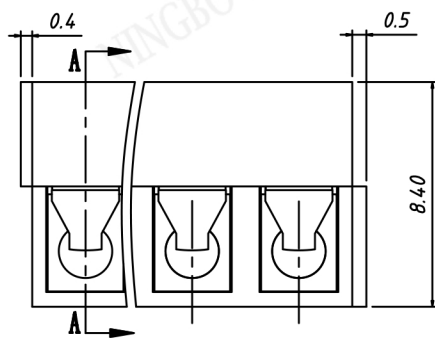
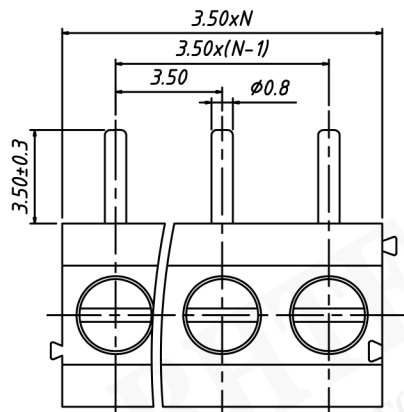
Order Information

RE - C - 350R - 3.96 - XXP - 4 S XX

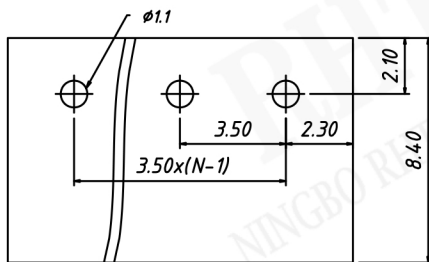


NINGBO RHT ELECTRONIC CO., LTD

UNITS:mm	SHEET SIZE:A4		SCALE: ---	First angle projection TERMINAL BLOCK
> 0 ~ 3	> 3 ~ 18	> 18 ~ 50	> 50 ~ 120	
± 0.12	± 0.15	± 0.3	± 0.5	



SECTION A-A



PCB LAYOUT



Material

Screw: M2, Steel, Zn plated 2
 Shrapnel: Phosphor bronze, Nickel plated
 Pin header: Brass, Tin plated
 Housing: PA66, UL94V-0

Electrical

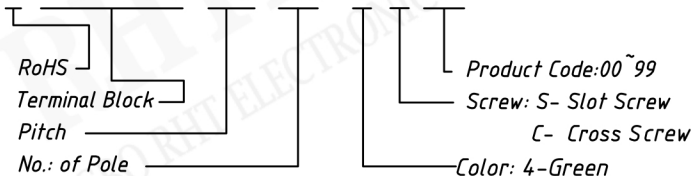
Rated voltage: 125V
 Rated current: 10A
 Wire range: 24 ~ 18AWG 1.0mm
 Contact Resistance: 20 m Ω
 Insulation resistance: 500MΩ/DC500V
 Withstand voltage: AC2000V / 1 min

Mechanical

Temp. Range: -40 °C ~ +105 °C
 Soldering: 250 °C ± 5 °C for 5S
 Torque: 0.2 N.m (1.77Lb. in)
 Strip length: 4.5 ~ 5 mm

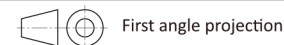
Order Information

RE - C - 350R - 3.50 - XXP - 4 S XX



NINGBO RHT ELECTRONIC CO., LTD

UNITS:mm	SHEET SIZE:A4		SCALE: ---
> 0 ~ 3	> 3 ~ 18	> 18 ~ 50	> 50 ~ 120
± 0.12	± 0.15	± 0.3	± 0.5



TERMINAL BLOCK