

*Material*

Housing: PA66, UL 94V-0

Shrapnel: Stainless steel

Clamp: Phosphor bronze, Tin plated

*Electrical*

Rated voltage: 300 V

Rated current: 8 A

Contact Resistance: 20 mΩ

Withstand voltage: AC2000V / 1 Min

Insulation resistance: 500MΩ / DC500V

Wire Range: 24 ~ 16AWG 1.0mm<sup>2</sup>

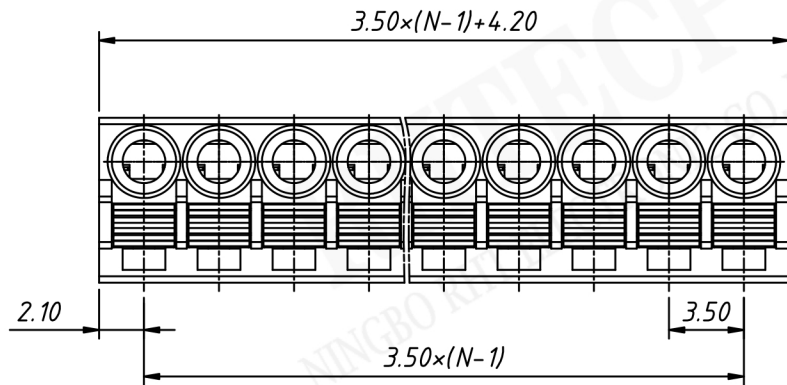
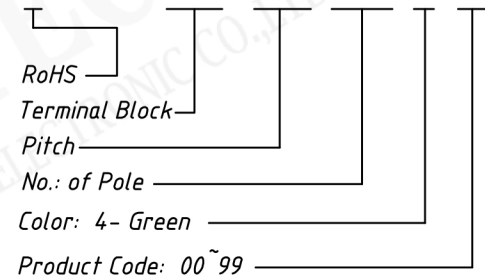
*Mechanical*

Temp. Range: -40 °C ~ +105 °C

Strip length: 9-10mm

*Order Information*

RE - C - FMC - 3.50 - XXP - 4 00

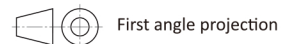


NINGBO RHT ELECTRONIC CO., LTD

UNITS: mm

SHEET SIZE: A4

SCALE: ---



> 0 ~ 3

> 3 ~ 18

> 18 ~ 50

> 50 ~ 120

± 0.12

± 0.15

± 0.3

± 0.5

TERMINAL BLOCK