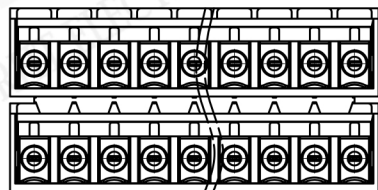
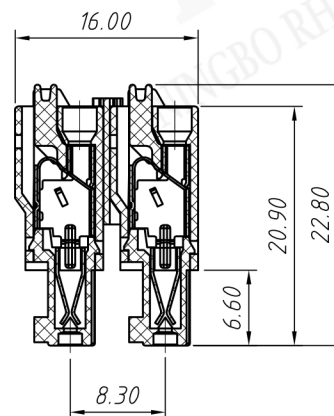
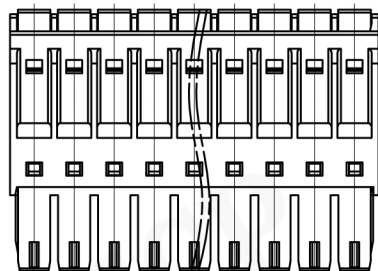
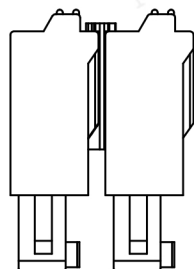


Material
 Housing: PA66, UL 94V-0
 Shrapnel: Stainless steel
 Clamp: Phosphor bronze, Tin plated

Electrical
 Rated voltage: 300 V
 Rated current: 8 A
 Contact Resistance: 20 mΩ
 Withstand voltage: AC2000V / 1 Min
 Insulation resistance: 500MΩ / DC500V
 Wire Range: 24 ~ 16AWG 1.0mm²
Mechanical
 Temp. Range: -40 °C ~ +105 °C
 Strip length: 9-10mm



Order Information

RE - C - FMCC - 3.50 - XXP - 4 00

RoHS
 Terminal Block
 Pitch
 No.: of Pole
 Color: 4- Green
 Product Code: 00 ~ 99

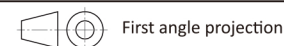


NINGBO RHT ELECTRONIC CO., LTD

UNITS: mm

SHEET SIZE: A4

SCALE: ---



First angle projection

> 0 ~ 3

> 3 ~ 18

> 18 ~ 50

> 50 ~ 120

± 0.12

± 0.15

± 0.3

± 0.5

TERMINAL BLOCK