

SECTION A-A



Material

Housing: PA66, UL94V-0

Pin header: Brass, Tin plated

Electrical

Rated voltage: 300V

Rated current: 8A

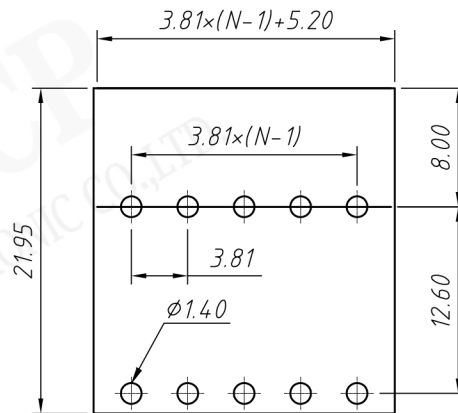
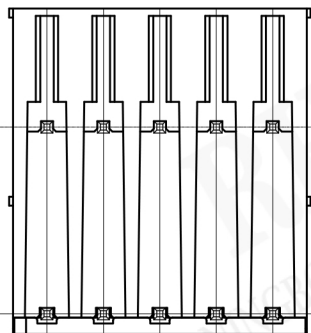
Contact Resistance: 20 m Ω

Insulation resistance: 500MΩ/DC500V

Withstand voltage: AC2000V / 1min

Mechanical

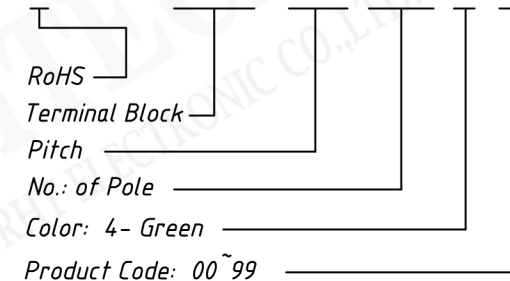
Temp. Range: -40 °C ~ +105 °C



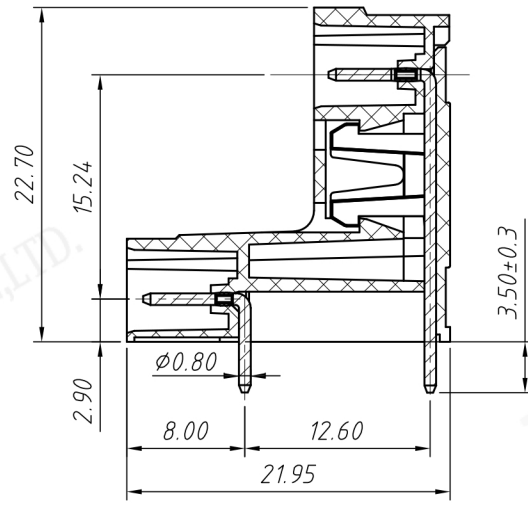
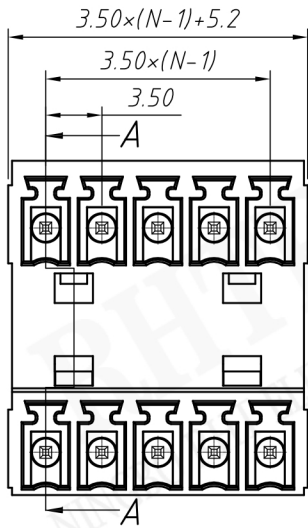
PCB LAYOUT

Order Information

RE - C - EDBR - 3.81 - XXP - 4 00



UNITS : mm	SHEET SIZE : A4		SCALE : ---
> 0 ~ 3	> 3 ~ 18	> 18 ~ 50	> 50 ~ 120
± 0.12	± 0.15	± 0.3	± 0.5



SECTION A-A



Material

Housing: PA66, UL94V-0

Pin header: Brass, Tin plated

Electrical

Rated voltage: 300V

Rated current: 8A

Contact Resistance: 20 mΩ

Insulation resistance: 500MΩ/DC500V

Withstand voltage: AC2000V / 1 min

Mechanical

Temp. Range: -40 °C ~ +105 °C

Order Information

RE - C - EDBR - 3.50 - XXP - 4 00

RoHS

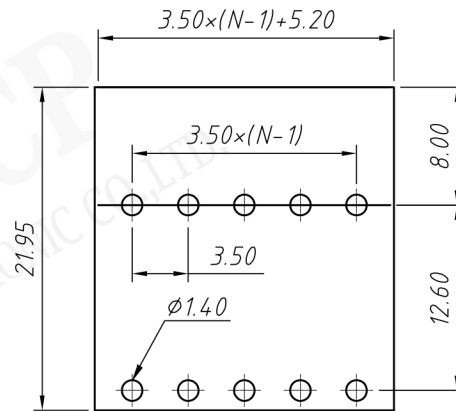
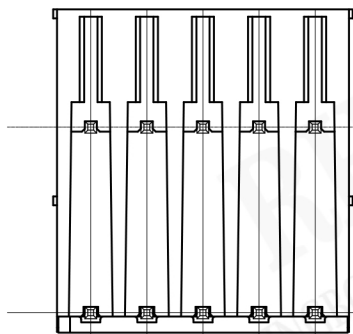
Terminal Block

Pitch

No.: of Pole

Color: 4- Green

Product Code: 00 ~ 99



PCB LAYOUT