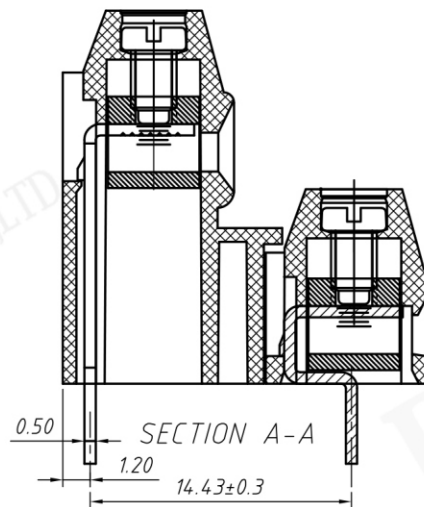
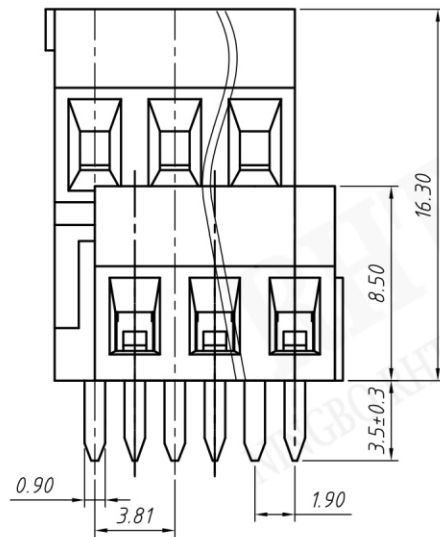


PCB LAYOUT



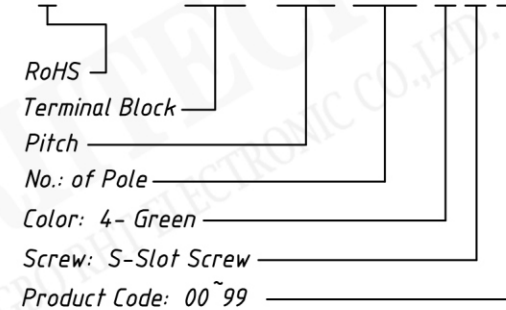
Material
Housing: PA66, UL94V-0
Clamp: Brass, Ni plated
Pin Header: Brass, Tin plated
Screw: M2 steel Zinc plated

Electrical
Rated voltage: 300V
Rated current: 15A
Contact Resistance: 20 mΩ
Insulation resistance: 500MΩ/DC500V
Withstand voltage: AC2000V / 1 min
Wire Range: 30~14AWG 1.0mm²

Mechanical
Temp. Range: -40 °C ~ +105 °C
Strip length: 5~6mm
Torque: 0.2Nm (1.75Lb.in)

Order Information

RE - C - 125A -3.81-XXP-4 S 00

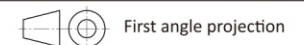


NINGBO RHT ELECTRONIC CO., LTD

UNITS:mm

SHEET SIZE:A4

SCALE: ---



> 0~3

> 3~18

> 18~50

> 50~120

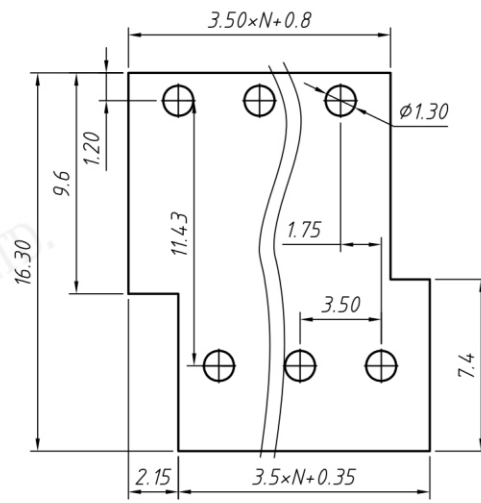
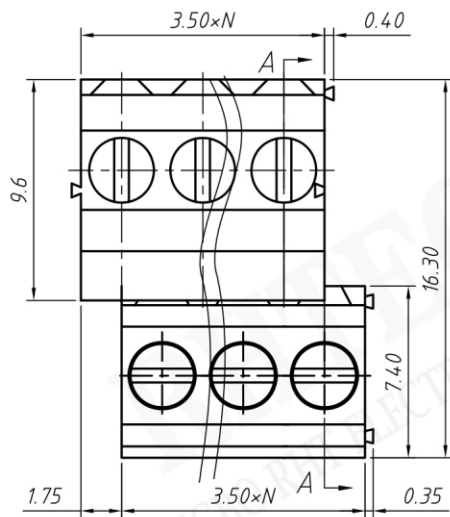
± 0.12

± 0.15

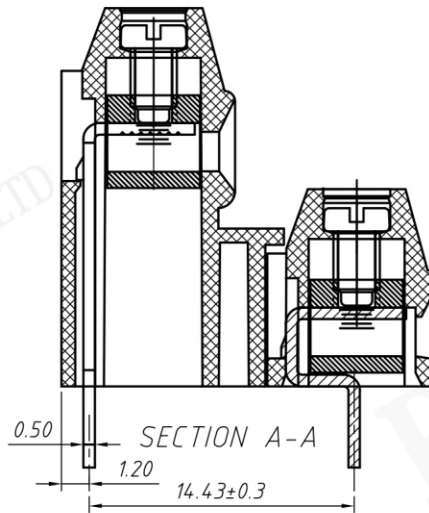
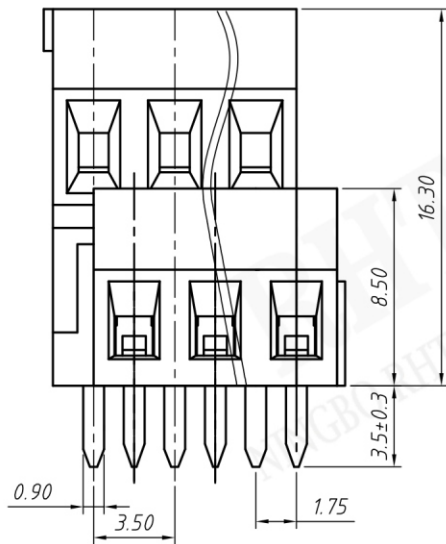
± 0.3

± 0.5

TERMINAL BLOCK



PCB LAYOUT



Material
Housing: PA66, UL94V-0
Clamp: Brass, Ni plated
Pin Header: Brass, Tin plated
Screw: M2 steel Zinc plated

Electrical
Rated voltage: 300V
Rated current: 15A
Contact Resistance: 20 mΩ
Insulation resistance: 500MΩ/DC500V
Withstand voltage: AC2000V / 1 min
Wire Range: 30~14AWG 1.0mm²

Mechanical
Temp. Range: -40 °C ~ +105 °C
Strip length: 5~6mm
Torque: 0.2Nm (1.75Lb.in)

Order Information

RE - C - 125A - 3.50-XXP-4 S 00
 RoHS
 Terminal Block
 Pitch
 No.: of Pole
 Color: 4- Green
 Screw: S-Slot Screw
 Product Code: 00~99

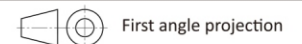


NINGBO RHT ELECTRONIC CO., LTD

UNITS:mm

SHEET SIZE:A4

SCALE: ---



> 0~3

> 3~18

> 18~50

> 50~120

± 0.12

± 0.15

± 0.3

± 0.5

TERMINAL BLOCK