

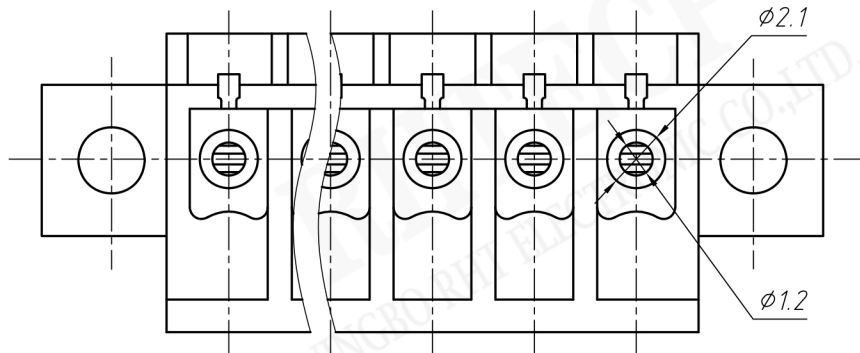
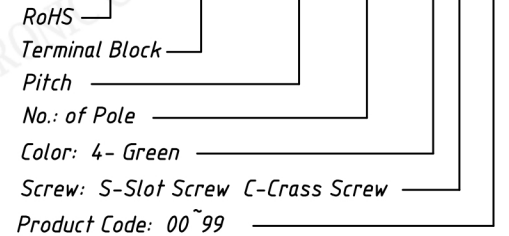
SECTION A-A

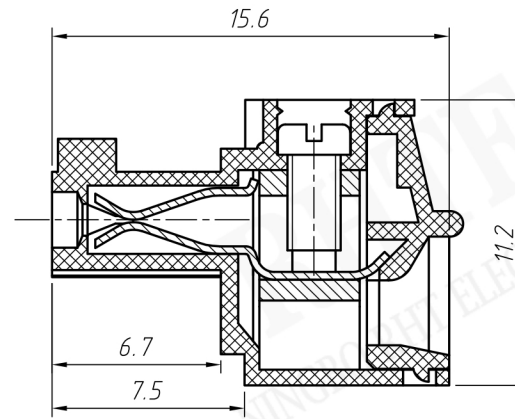
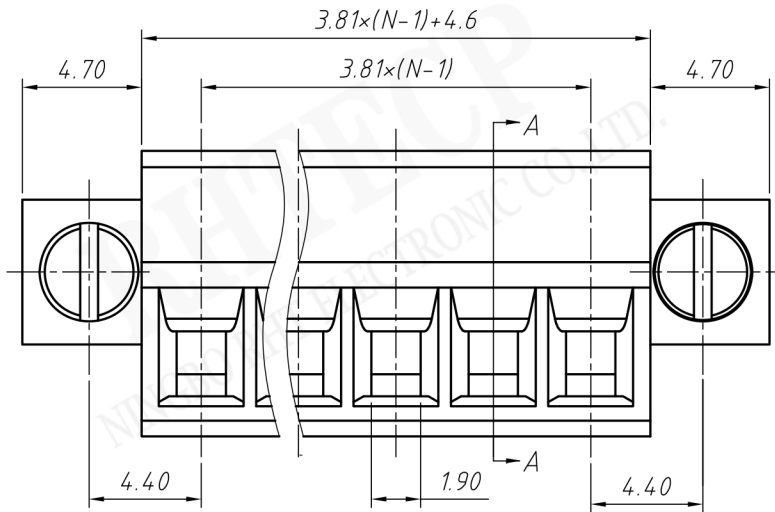


- Material**  
**Housing:** PA66, UL94 V-0  
**Clamp:** Phosphor bronze, Ni Plated  
**Screws:** M2 Steel, Zinc plated  
**Wire guard:** Brass, Ni plated  
**Electrical**  
**Rated voltage:** 300V  
**Rated current:** 8A  
**Contact Resistance:** 20 mΩ  
**Insulation resistance:** 500MΩ/DC500V  
**Withstand voltage:** AC2000V / 1 min  
**Wire Range:** 28 ~ 16AWG 1.5mm<sup>2</sup>  
**Mechanical**  
**Temp. Range:** -40 °C ~ +105 °C  
**Strip length:** 6 ~ 7mm  
**Torque:** 0.2Nm(1.7 bin)

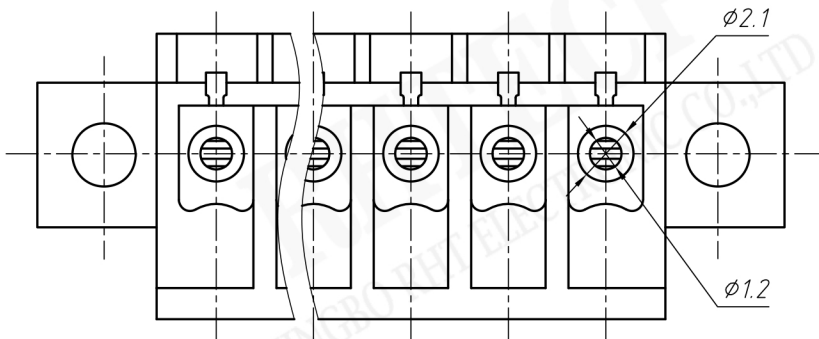
**Order Information**

RE - C - EDCKM - 3.50 - XXP - 4 S 00





SECTION A-A



Material  
Housing: PA66, UL94V-0  
Clamp: Phosphor bronze, Ni Plated  
Screws: M2 Steel, Zinc plated  
Wire guard: Brass, Ni plated

Electrical  
Rated voltage: 300V  
Rated current: 8A  
Contact Resistance: 20 mΩ

Insulation resistance: 500MΩ/DC500V  
Withstand voltage: AC2000V / 1min  
Wire Range: 28~16AWG 1.5mm<sup>2</sup>

Mechanical  
Temp. Range: -40 °C ~ +105 °C  
Strip length: 6~7mm  
Torque: 0.2Nm(1.7 bin)

Order Information

RE - C - EDCKM - 3.81 - XXP - 4 S 00

