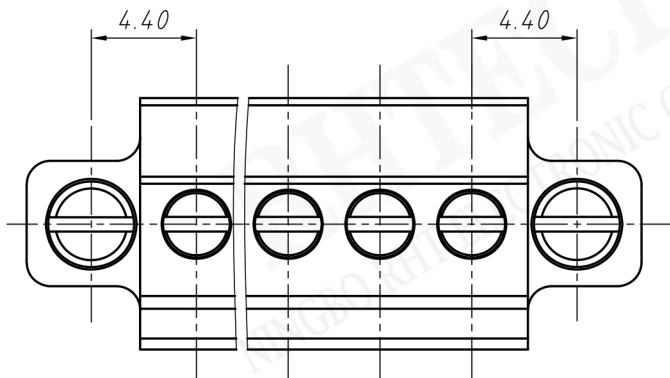


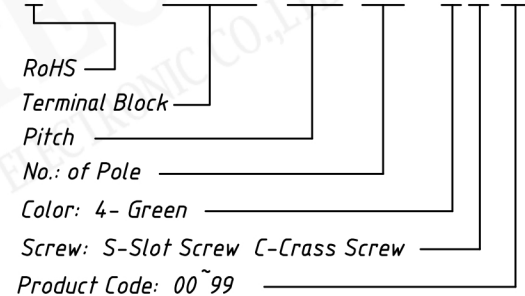
SECTION A-A

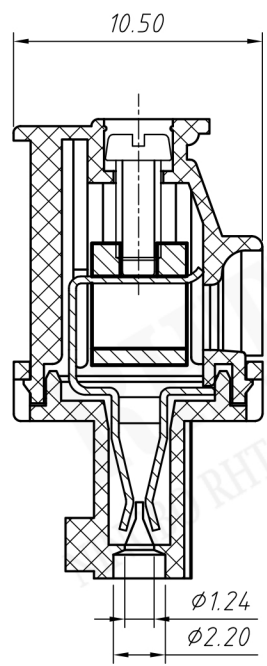
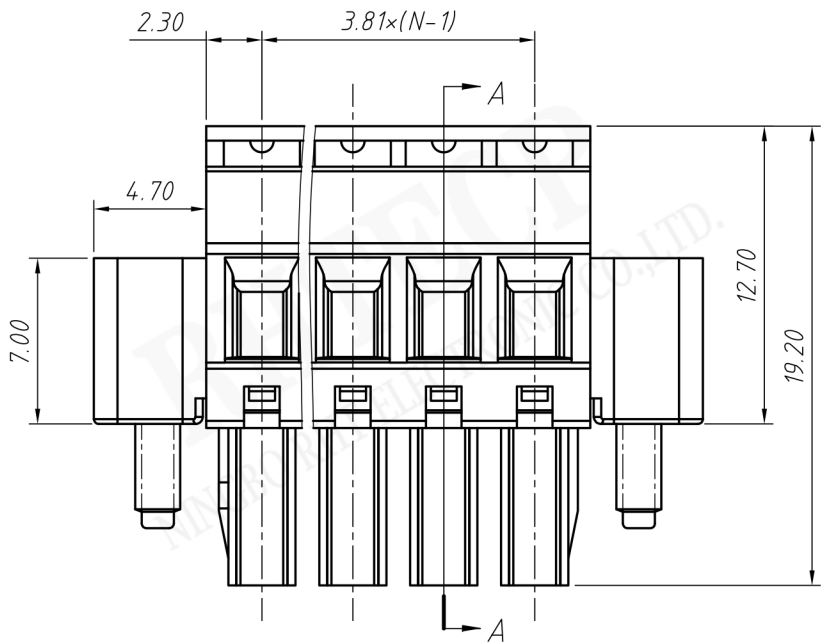


- Material
- Housing: PA66, UL 94V-0
- Clamp: Phosphor bronze, Ni Plated
- Screws: M2 Steel, Zinc plated
- Wire guard: Brass, Ni plated
- Electrical
- Rated voltage: 300V
- Rated current: 8A
- Contact Resistance: 20 mΩ
- Insulation resistance: 500MΩ/DC500V
- Withstand voltage: AC2000V / 1 min
- Wire Range: 28 ~ 16AWG 1.5mm²
- Mechanical
- Temp. Range: -40 °C ~ +105 °C
- Strip length: 6 ~ 7mm
- Torque: 0.2Nm (1.7 bin)

Order Information

RE - C - EDNDM - 3.50 - XXP - 4 S 00





SECTION A-A



Material
 Housing: PA66, UL94V-0
 Clamp: Phosphor bronze, Ni Plated
 Screws: M2 Steel, Zinc plated
 Wire guard: Brass, Ni plated

Electrical
 Rated voltage: 300V
 Rated current: 8A
 Contact Resistance: 20 mΩ

Insulation resistance: 500MΩ/DC500V
 Withstand voltage: AC2000V / 1 min

Wire Range: 28~16AWG 1.5mm²
 Mechanical

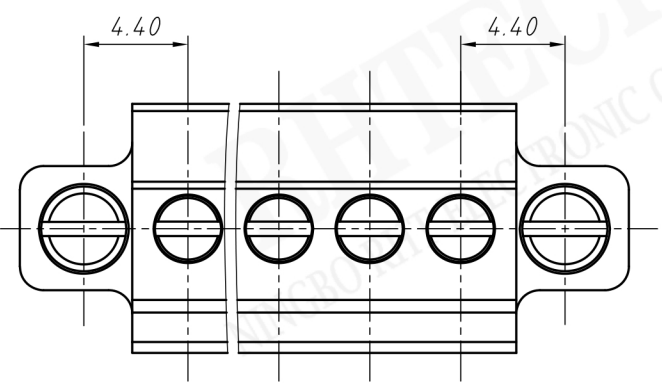
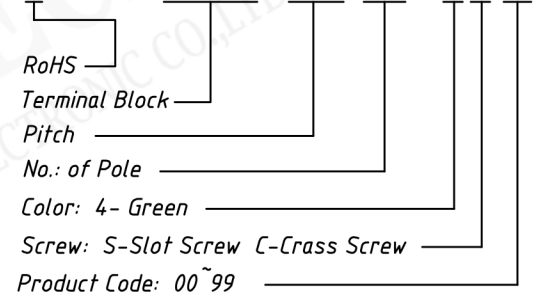
Temp. Range: -40 °C ~ +105 °C

Strip length: 6~7mm

Torque: 0.2Nm(1.7 bin)

Order Information

RE - C - EDNDM - 3.81 - XXP - 4 S 00



UNITS:mm	SHEET SIZE:A4		SCALE: ---
> 0~3	> 3~18	> 18~50	> 50~120
± 0.12	± 0.15	± 0.3	± 0.5