

SECTION A-A



Material
Housing: PA66, UL94V-0
Pin header: Brass, Ni Plated
Nut: M2.5 Brass

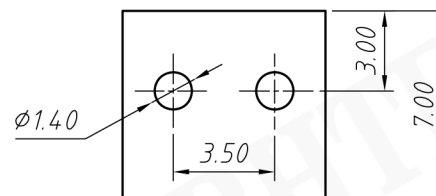
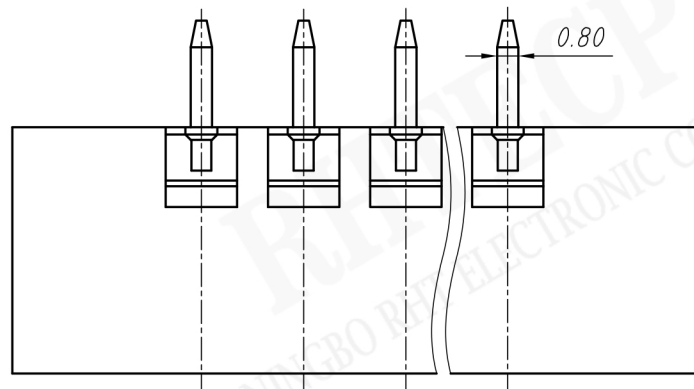
Electrical
Rated voltage: 300V
Rated current: 8A
Contact Resistance: 20 mΩ
Insulation resistance: 500MΩ/DC500V
Withstand voltage: AC2000V / 1 min

Mechanical
Temp. Range: -40 °C ~ +105 °C

Order Information

RE - C - EDLV - 3.50 - XXP - 4 S 00

RoHS
Terminal Block
Pitch
No.: of Pole
Color: 4- Green
Screw: S-Slot Screw C-Cross Screw
Product Code: 00~99



NINGBO RHT ELECTRONIC CO.,LTD

UNITS:mm

SHEET SIZE:A4

SCALE: ---



> 0 ~ 3

> 3 ~ 18

> 18 ~ 50

> 50 ~ 120

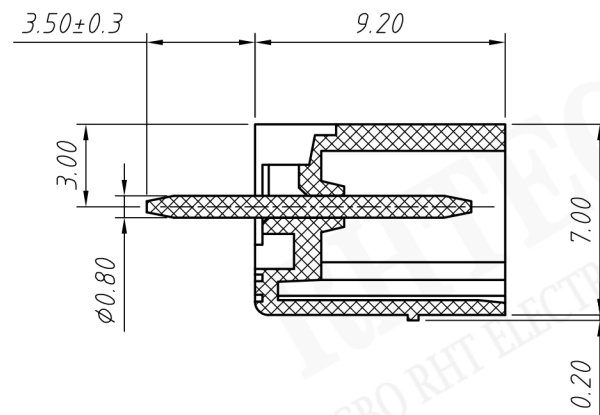
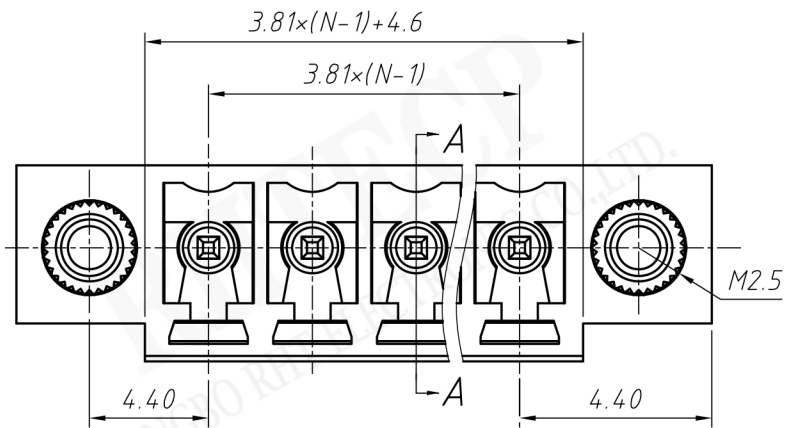
± 0.12

± 0.15

± 0.3

± 0.5

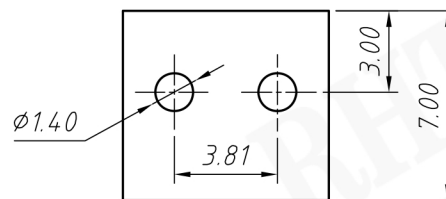
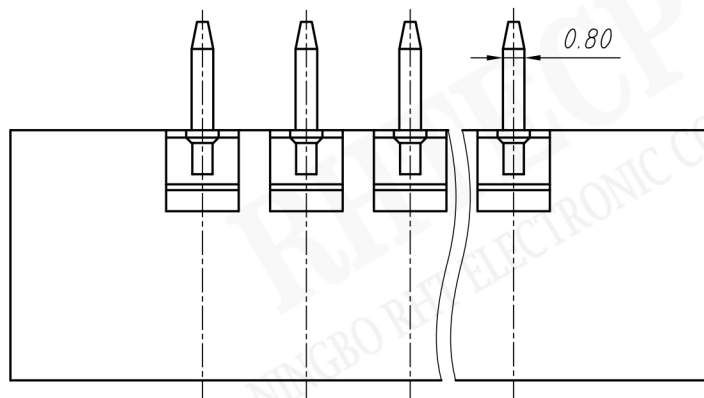
TERMINAL BLOCK



Material
 Housing: PA66, UL94V-0
 Pin header: Brass, Ni Plated
 Nut: M2.5 Brass

Electrical
 Rated voltage: 300V
 Rated current: 8A
 Contact Resistance: 20 mΩ
 Insulation resistance: 500MΩ/DC500V
 Withstand voltage: AC2000V / 1 min
 Mechanical
 Temp. Range: -40 °C ~ +105 °C

SECTION A-A



Order Information

RE - C - EDLV - 3.81 - XXP - 4 S 00

RoHS
 Terminal Block
 Pitch
 No. of Pole
 Color: 4- Green
 Screw: S-Slot Screw C-Cross Screw
 Product Code: 00~99

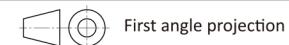


NINGBO RHT ELECTRONIC CO.,LTD

UNITS:mm

SHEET SIZE:A4

SCALE: ---



> 0 ~ 3

> 3 ~ 18

> 18 ~ 50

> 50 ~ 120

± 0.12

± 0.15

± 0.3

± 0.5

TERMINAL BLOCK