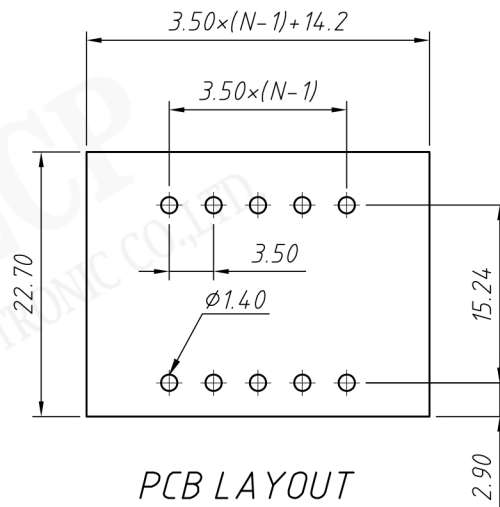
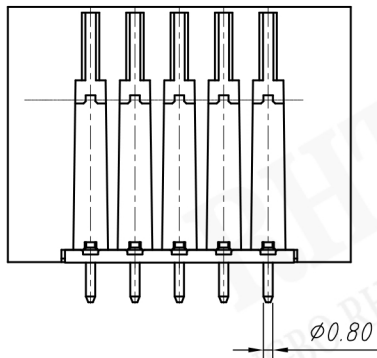


SECTION A-A



- Material**
Housing: PA66, UL94V-0
Pin header: Brass, Tin plated
Nut: M2.5, Brass
- Electrical**
Rated voltage: 300V
Rated current: 8A
Contact Resistance: 20 mΩ
Insulation resistance: 500MΩ/DC500V
Withstand voltage: AC2000V / 1min
- Mechanical**
Temp. Range: -40 °C ~ +105 °C

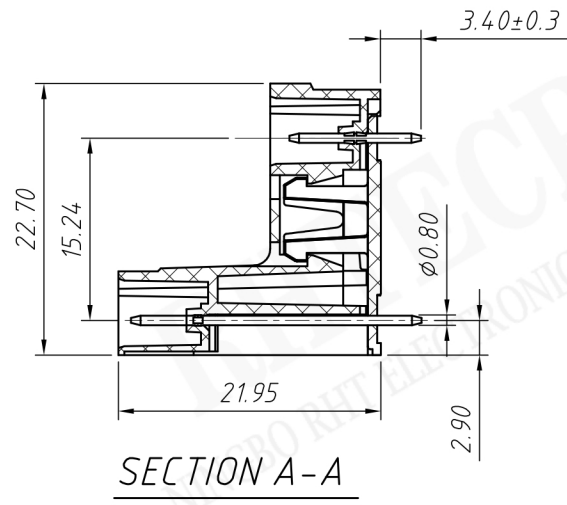
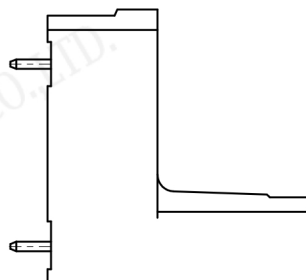
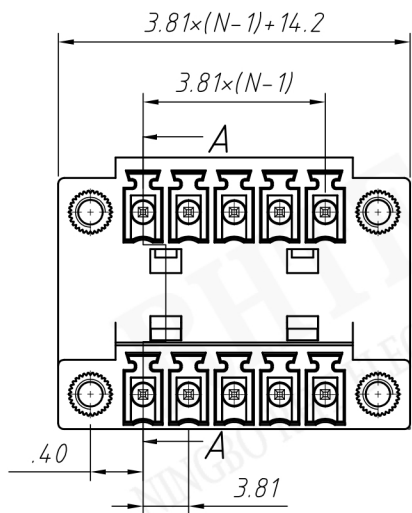


PCB LAYOUT

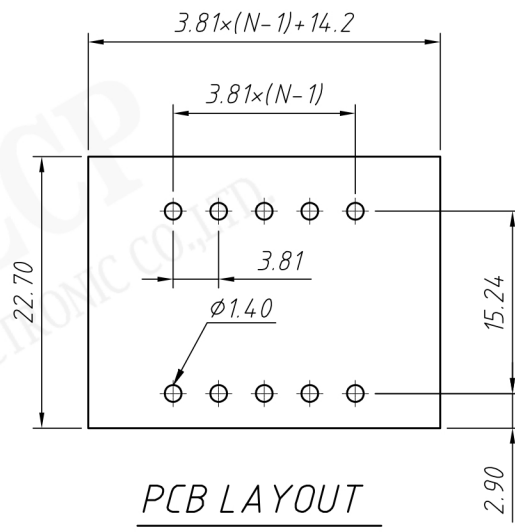
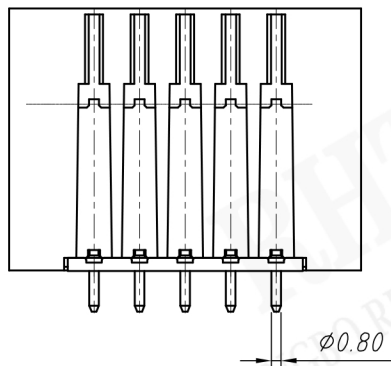
Order Information

RE - C - EDBVM - 3.50 - XXP - 4 S 00

RoHS
Terminal Block
Pitch
No. of Pole
Color: 4- Green
Screw: S-Slot Screw C-Cross Screw
Product Code: 00~99



Material
Housing: PA66, UL94V-0
Pin header: Brass, Tin plated
Nut: M2.5, Brass
Electrical
Rated voltage: 300V
Rated current: 8A
Contact Resistance: 20 mΩ
Insulation resistance: 500MΩ/DC500V
Withstand voltage: AC2000V / 1 min
Mechanical
Temp. Range: -40 °C ~ +105 °C



Order Information

RE - C - EDBVM - 3.81 - XXP - 4 S 00

RoHS _____
 Terminal Block _____
 Pitch _____
 No.: of Pole _____
 Color: 4- Green _____
 Screw: S-Slot Screw C-Crass Screw _____
 Product Code: 00~99 _____