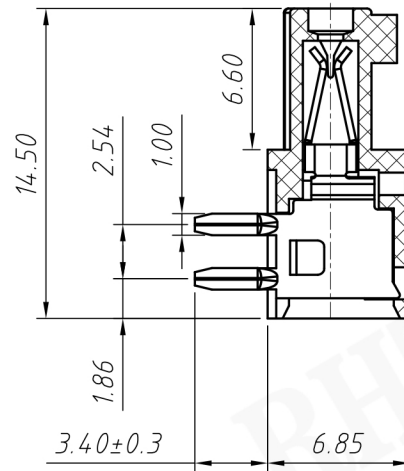
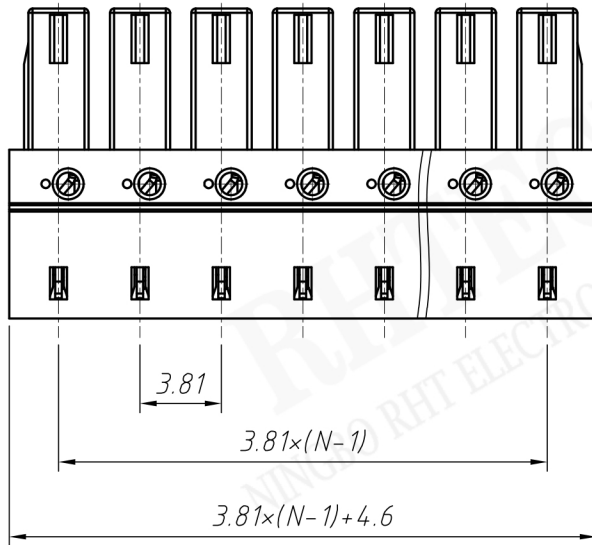


PCB LAYOUT



Material  
Housing: PA66, UL94V-0  
Clamp: Phosphor Bronze, Tin plated  
Electrical  
Rated voltage: 300V  
Rated current: 8A  
Contact Resistance: 20 mΩ  
Insulation resistance: 500MΩ/DC500V  
Withstand voltage: AC1250V / 1 min  
Mechanical  
Temp. Range: -40 °C ~ +105 °C



Order Information

RE - C - EDKR - 3.81 - XXP - 4 00  
RoHS  
Terminal Block  
Pitch  
No.: of Pole  
Color: 4- Green  
Product Code: 00 ~ 99