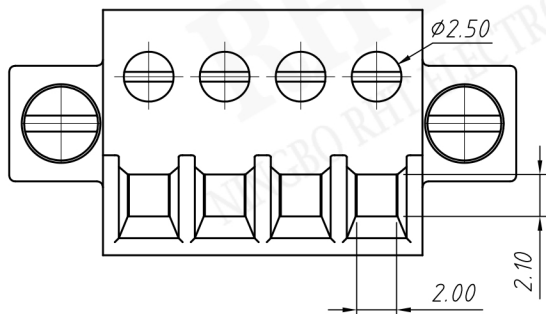
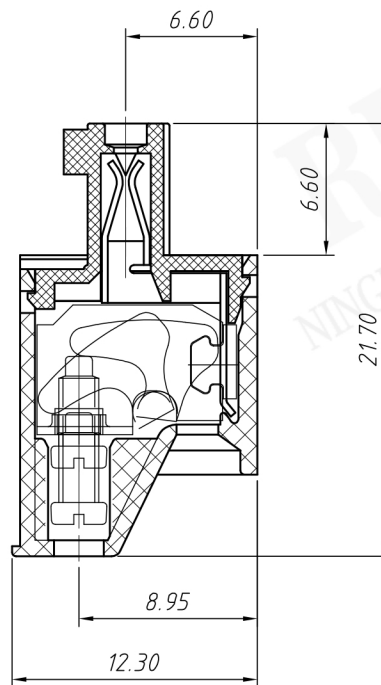
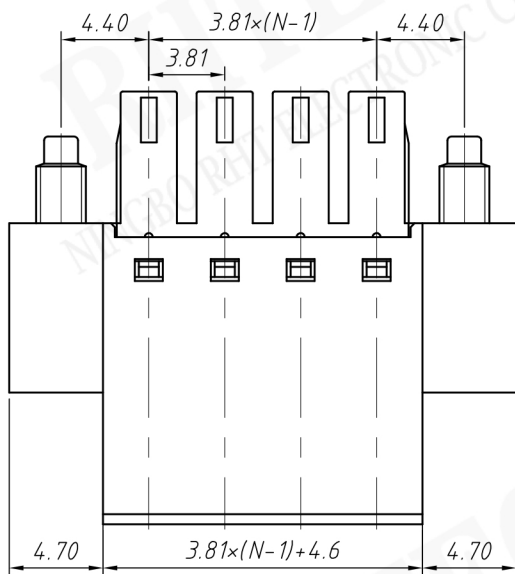
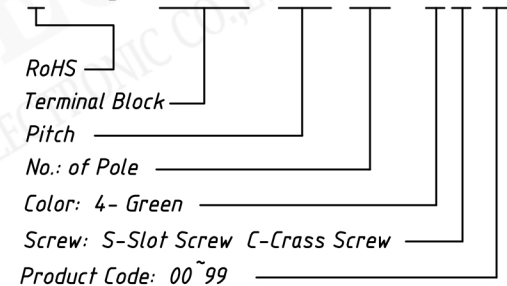


**Material**  
**Housing:** PA66, UL94V-0  
**Screws:** M2.0, Steel, Zn plated  
**Clamp:** Phosphor bronze, Ni Plated  
**Cage:** Brass, Zn plated  
**Slide block:** Steel, Zn plated

**Electrical**  
**Rated voltage:** 300V  
**Rated current:** 8A  
**Contact Resistance:** 20 mΩ  
**Insulation resistance:** 500MΩ/DC500V  
**Withstand voltage:** AC2000V / 1 min  
**Wire Range:** 28 ~ 16AWG 1.5mm<sup>2</sup>  
**Mechanical**  
**Temp. Range:** -40 °C ~ +105 °C  
**Strip length:** 7mm  
**Torque:** 0.2Nm(1.8 bin)

**Order Information**

RE - C - EDKCM - 3.81 - XXP - 4 S 00

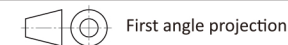


NINGBO RHT ELECTRONIC CO.,LTD

UNITS:mm

SHEET SIZE:A4

SCALE: ---



> 0 ~ 3

> 3 ~ 18

> 18 ~ 50

> 50 ~ 120

± 0.12

± 0.15

± 0.3

± 0.5

TERMINAL BLOCK