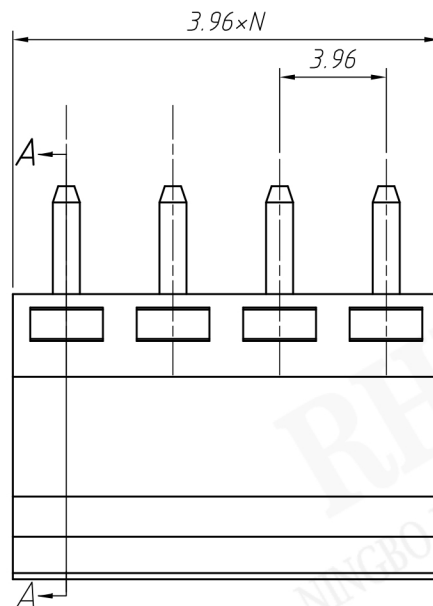
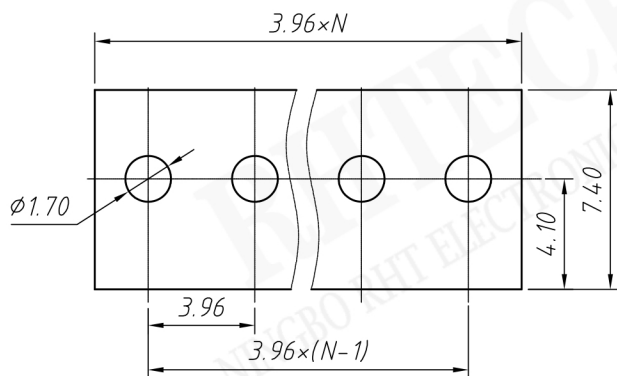


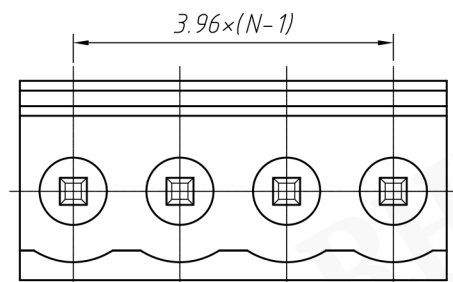
SECTION A-A



Material
Housing: PA66, UL94V-0
Pin header: Brass, Tin plated
Electrical
Rated voltage: 300V
Rated current: 8A
Contact Resistance: 20 mΩ
Insulation resistance: 500MΩ/DC500V
Withstand voltage: AC2000V / 1 min
Mechanical
Temp. Range: -40 °C ~ +105 °C



PCB LAYOUT



Order Information

RE - C - EDV - 3.96 - XXP - 4 00
 RoHS
 Terminal Block
 Pitch
 No. of Pole
 Color: 4- Green
 Product Code: 00~99

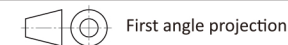


NINGBO RHT ELECTRONIC CO.,LTD

UNITS:mm

SHEET SIZE:A4

SCALE: ---



First angle projection

> 0 ~ 3

> 3 ~ 18

> 18 ~ 50

> 50 ~ 120

± 0.12

± 0.15

± 0.3

± 0.5

TERMINAL BLOCK