

Material
Housing: PA66, UL94V-0
Cage: Brass, Ni plated
Clamp: Phosphor bronze, Ni plated
Screws: M3.0, Steel, Zn plated

Electrical

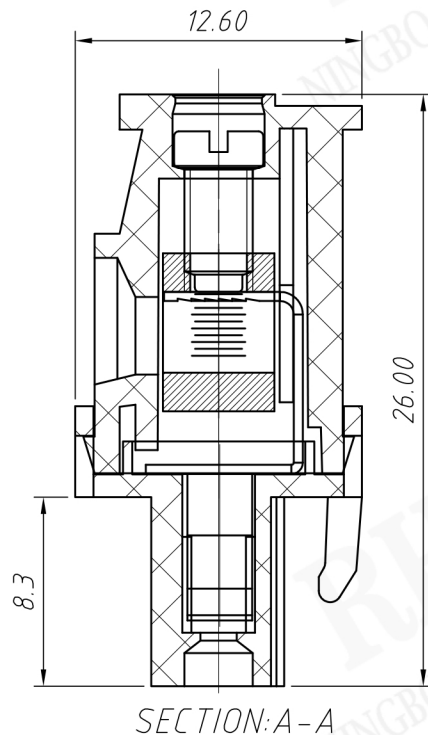
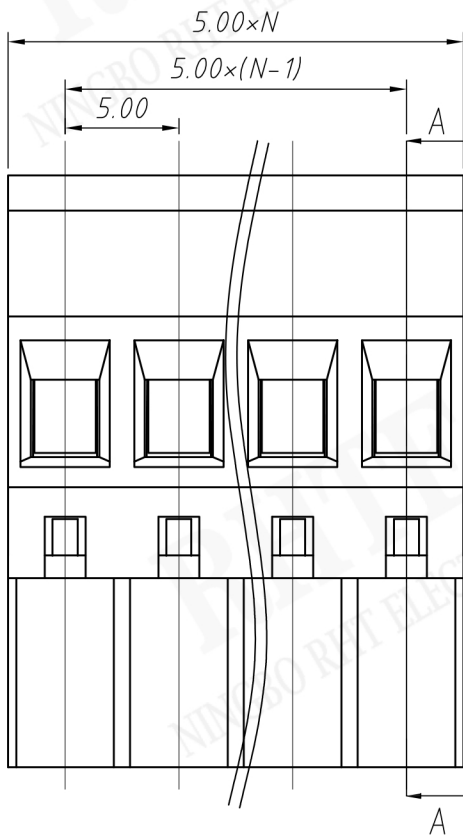
Rated voltage: 300V
Rated current: 15A
Contact Resistance: 20 mΩ
Insulation resistance: 500MΩ/DC500V
Withstand voltage: AC2000V / 1 min
Wire Range: 28 ~ 14AWG 1.5mm²

Mechanical

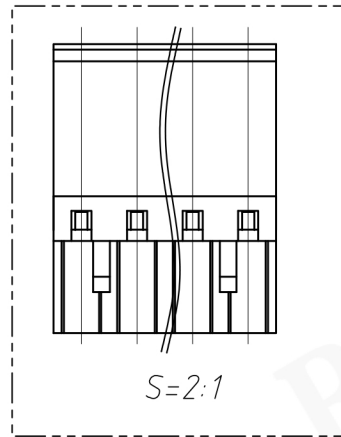
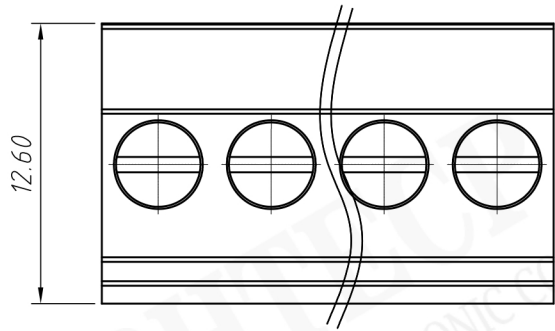
Temp. Range: -40 °C ~ +105 °C
Strip length: 7 ~ 8mm
Torque: 0.5Nm(4.5Lbin)

Order Information

RE - C - EDKB - 5.00 - XXP - 4 S 00
 RoHS ———
 Terminal Block ———
 Pitch ———
 No.: of Pole ———
 Color: 4- Green ———
 Screw: S-Slot Screw C-Cross Screw ———
 Product Code: 00 ~ 99 ———



UNITS:mm	SHEET SIZE:A4		SCALE: ---
> 0 ~ 3	> 3 ~ 18	> 18 ~ 50	> 50 ~ 120
± 0.12	± 0.15	± 0.3	± 0.5



Mater
Housing: PA66, UL94V-0
Cage: Brass, Ni plated
Clamp: Phosphor bronze, Ni plated
Screws: M3.0, Steel, Zn plated

Electrical
Rated voltage: 300V
Rated current: 15A
Contact Resistance: 20 mΩ
Insulation resistance: 500MΩ/DC500V
Withstand voltage: AC2000V / 1min
Wire Range: 28~14AWG 1.5mm²

Mechanical
Temp. Range: -40 °C ~ +105 °C
Strip length: 7~8mm
Torque: 0.5Nm(4.5Lbin)

Order Information

RE - C - EDKB - 5.08 - XXP - 4 S 00
 RoHS
 Terminal Block
 Pitch
 No.: of Pole
 Color: 4- Green
 Screw: S-Slot Screw C-Cross Screw
 Product Code: 00~99

