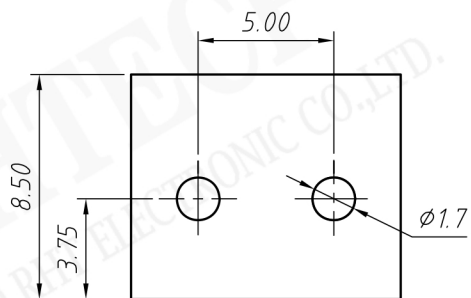


SECTION A-A



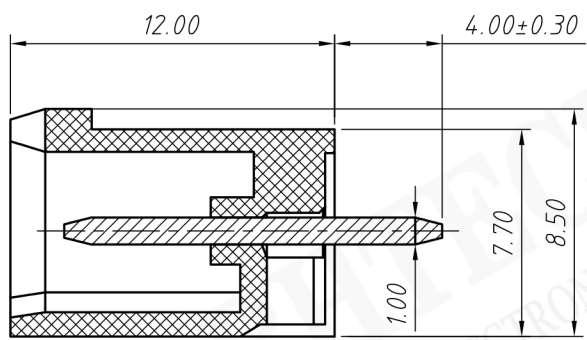
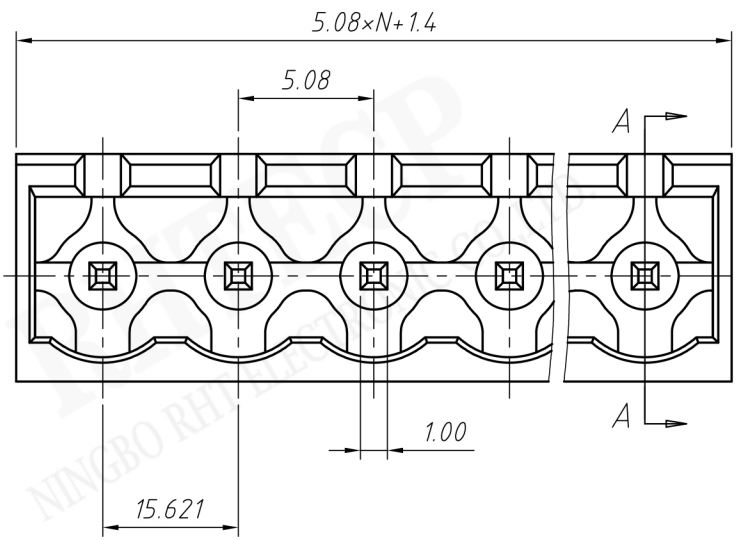
**Material**  
**Housing:** PA66, UL94V-0  
**Pin header:** Brass, Tin plated  
**Electrical**  
**Rated voltage:** 300V  
**Rated current:** 15A  
**Contact Resistance:** 20 mΩ  
**Insulation resistance:** 500MΩ/DC500V  
**Withstand voltage:** AC2000V / 1 min  
**Mechanical**  
**Temp. Range:** -40 °C ~ +105 °C



Order Information

RE - C - EDVC - 5.00 - XXP - 4 00  
 RoHS  
 Terminal Block  
 Pitch  
 No.: of Pole  
 Color: 4 - Green  
 Product Code: 00 ~ 99

UNITS:mm	SHEET SIZE:A4		SCALE: ---
> 0 ~ 3	> 3 ~ 18	> 18 ~ 50	> 50 ~ 120
± 0.12	± 0.15	± 0.3	± 0.5

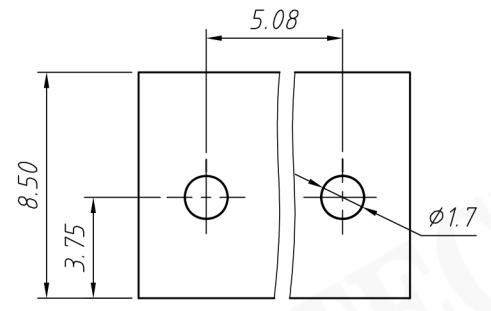
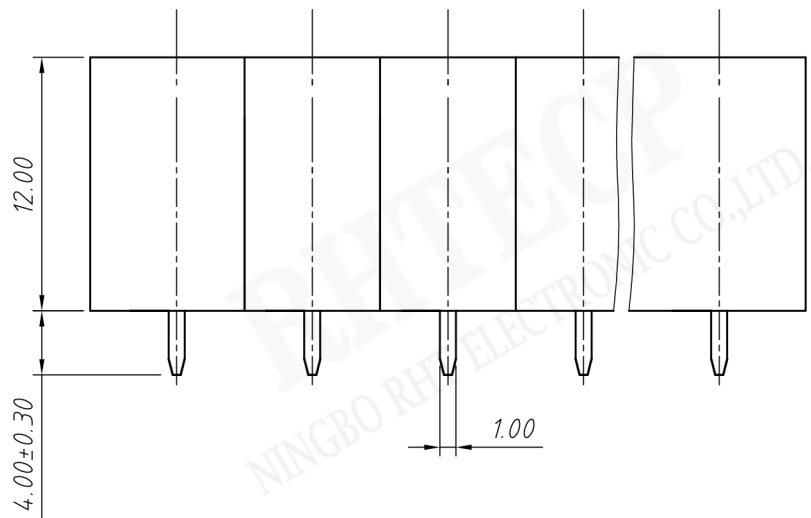
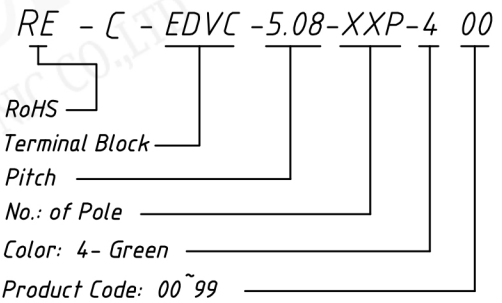


Material  
 Housing: PA66, UL94V-0  
 Pin header: Brass, Tin plated

Electrical  
 Rated voltage: 300V  
 Rated current: 15A  
 Contact Resistance: 20 mΩ  
 Insulation resistance: 500MΩ/DC500V  
 Withstand voltage: AC2000V / 1 min

Mechanical  
 Temp. Range: -40 °C ~ +105 °C

Order Information



PCB LAYOUT

UNITS:mm	SHEET SIZE:A4		SCALE: ---
> 0~3	> 3~18	> 18~50	> 50~120
± 0.12	± 0.15	± 0.3	± 0.5

