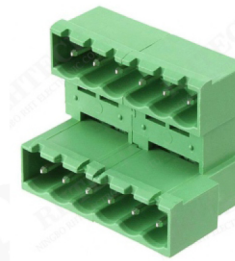


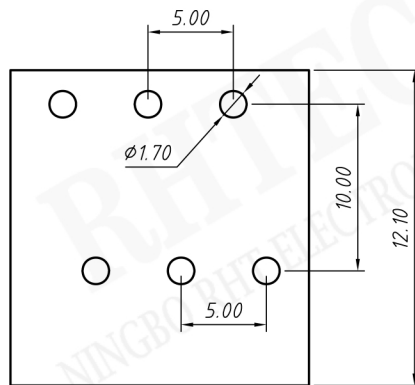
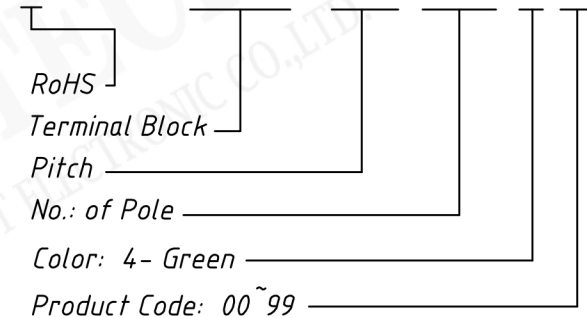
SECTION A-A



Material  
Housing: PA66, UL 94V-0  
Pin header: Brass, Tin plated  
Electrical  
Rated voltage: 300V  
Rated current: 15A  
Contact Resistance: 20 m Ω  
Insulation resistance: 500MΩ/DC500V  
Withstand voltage: AC2000V / 1 min  
Mechanical  
Temp. Range: -40 °C ~ + 105 °C

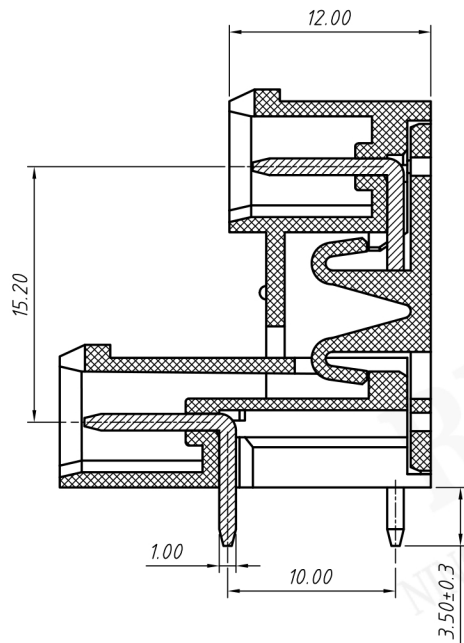
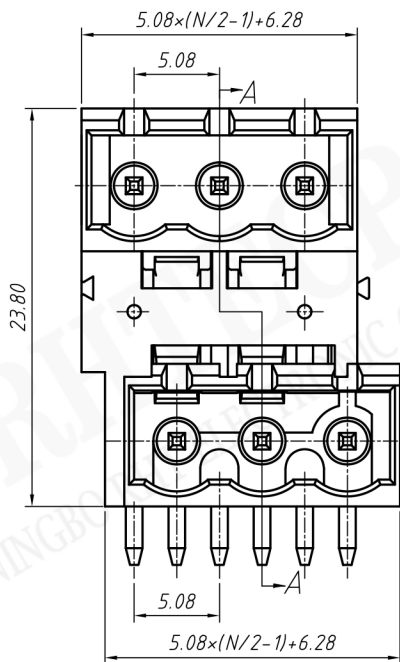
Order Information

RE - C - EDCRC - 5.00 - XXP - 4 00



TOLERANCES EXCEPT AS NOTED

UNITS:mm	SHEET SIZE:A4		SCALE: ---
> 0~ 3	> 3~ 18	> 18~ 50	> 50~ 120
± 0.12	± 0.15	± 0.3	± 0.5



SECTION A-A

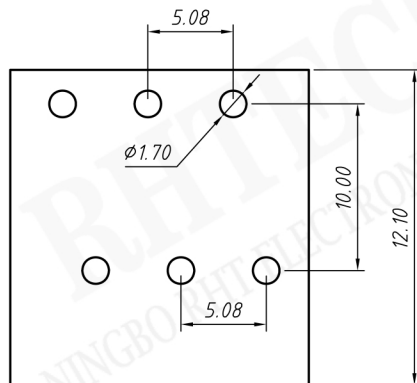


Material  
Housing: PA66, UL94V-0  
Pin header: Brass, Tin plated  
Electrical  
Rated voltage: 300V  
Rated current: 15A  
Contact Resistance: 20 mΩ  
Insulation resistance: 500MΩ/DC500V  
Withstand voltage: AC2000V / 1 min  
Mechanical  
Temp. Range: -40 °C ~ +105 °C

Order Information

RE - C - EDCRC - 5.08 - XXP - 4 00

RoHS  
Terminal Block  
Pitch  
No.: of Pole  
Color: 4- Green  
Product Code: 00 ~ 99



TOLERANCES EXCEPT AS NOTED



NINGBO RHT ELECTRONIC CO.,LTD

UNITS:mm

SHEET SIZE:A4

SCALE: ---



> 0 ~ 3

> 3 ~ 18

> 18 ~ 50

> 50 ~ 120

± 0.12

± 0.15

± 0.3

± 0.5

TERMINAL BLOCK