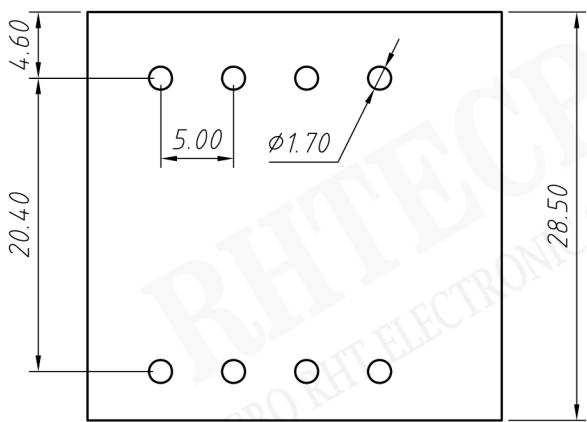
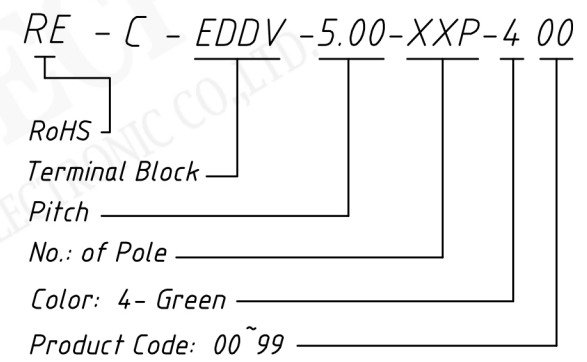


Material  
 Housing: PA66, UL94V-0  
 Pin header: Brass, Tin plated

Electrical  
 Rated voltage: 300V  
 Rated current: 15A  
 Contact Resistance: 20 m Ω  
 Insulation resistance: 500MΩ/DC500V  
 Withstand voltage: AC2000V / 1 min

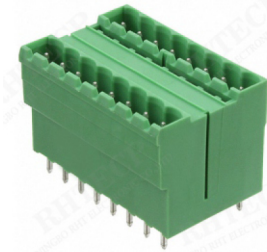
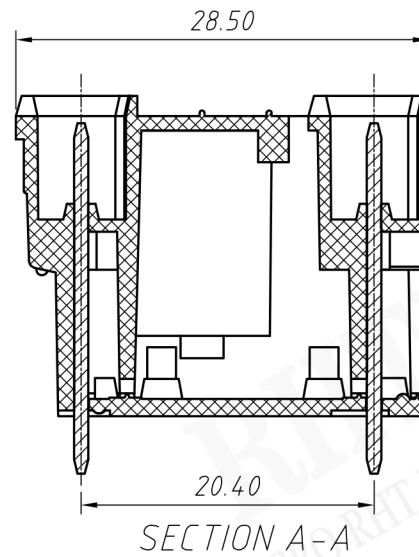
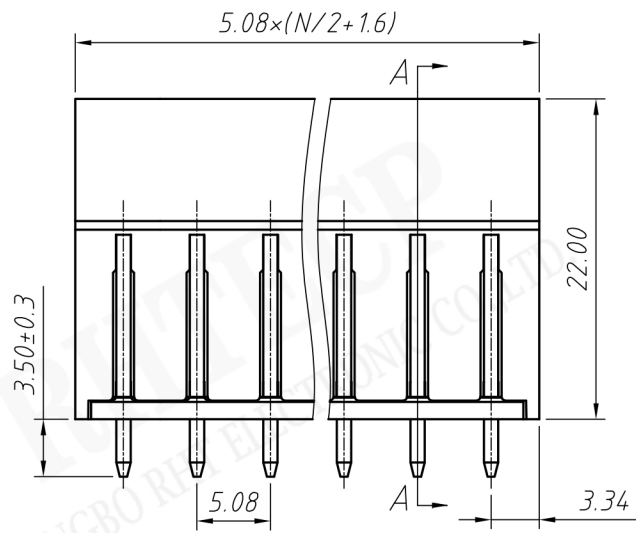
Mechanical  
 Temp. Range: -40 °C ~ +105 °C

Order Information

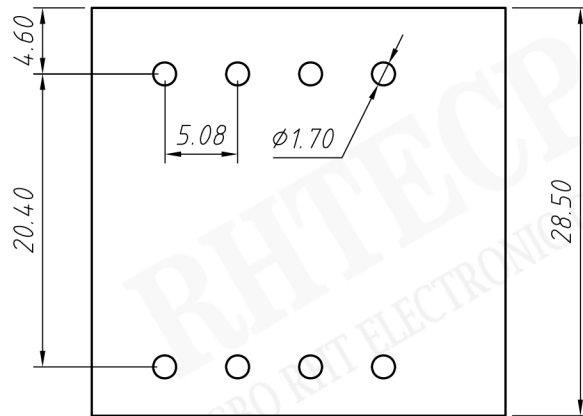


TOLERANCES EXCEPT AS NOTED

UNITS:mm	SHEET SIZE:A4		SCALE: ---
> 0~3	> 3~18	> 18~50	> 50~120
± 0.12	± 0.15	± 0.3	± 0.5



- Material
- Housing: PA66, UL 94V-0
- Pin header: Brass, Tin plated
- Electrical
- Rated voltage: 300V
- Rated current: 15A
- Contact Resistance: 20 mΩ
- Insulation resistance: 500MΩ/DC500V
- Withstand voltage: AC2000V / 1 min
- Mechanical
- Temp. Range: -40 °C ~ +105 °C



### Order Information

RE - C - EDDV - 5.08 - XXP - 4 00

RoHS

Terminal Block

Pitch

No. of Pole

Color: 4- Green

Product Code: 00 ~ 99

TOLERANCES EXCEPT AS NOTED