

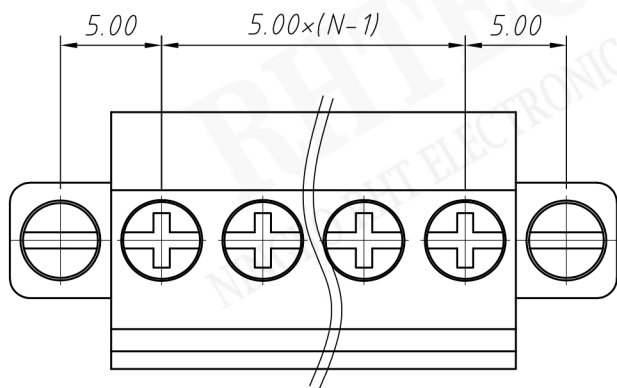
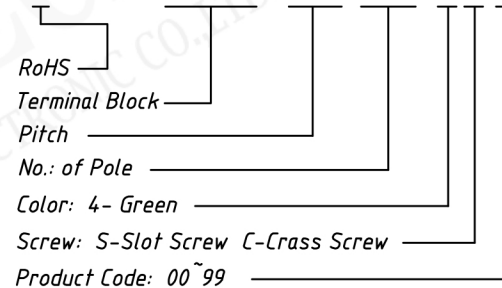
Material
 Housing: PA66, UL94V-0
 Cage: Brass, Ni plated
 Clamp: Phosphor bronze, Ni plated
 Screws: M3.0, Steel, Zn plated

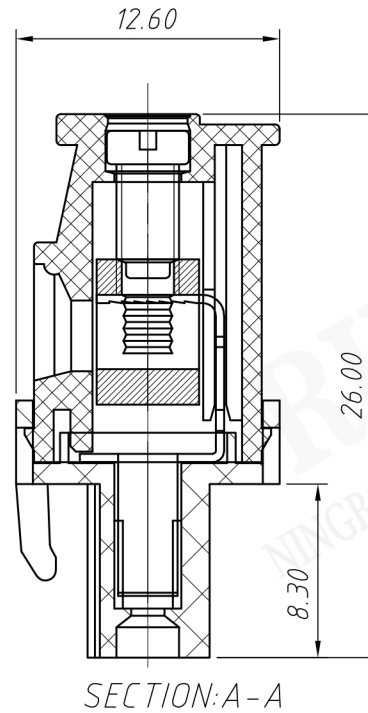
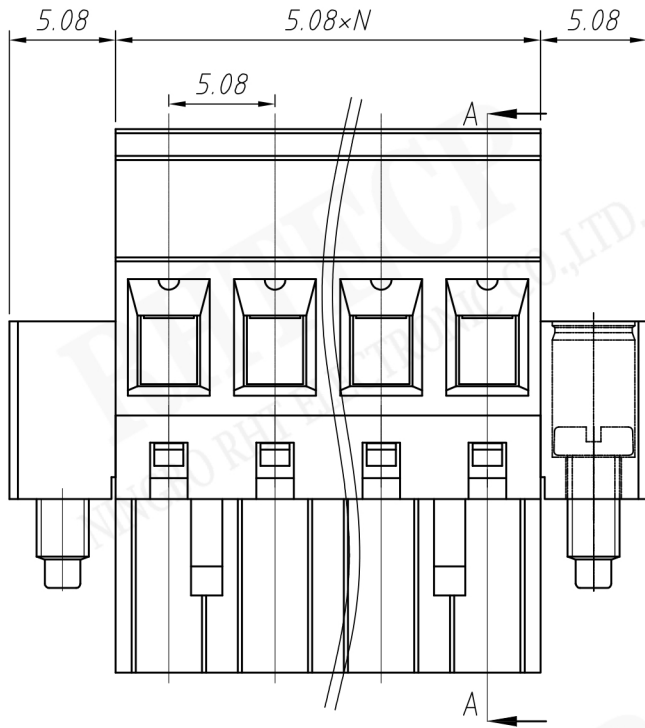
Electrical
 Rated voltage: 300V
 Rated current: 15A
 Contact Resistance: 20 mΩ
 Insulation resistance: 500MΩ/DC500V
 Withstand voltage: AC2000V / 1 min
 Wire Range: 28 ~ 14AWG 1.5mm²

Mechanical
 Temp. Range: -40 °C ~ +105 °C
 Strip length: 7 ~ 8mm
 Torque: 0.5Nm(4.5Lbin)

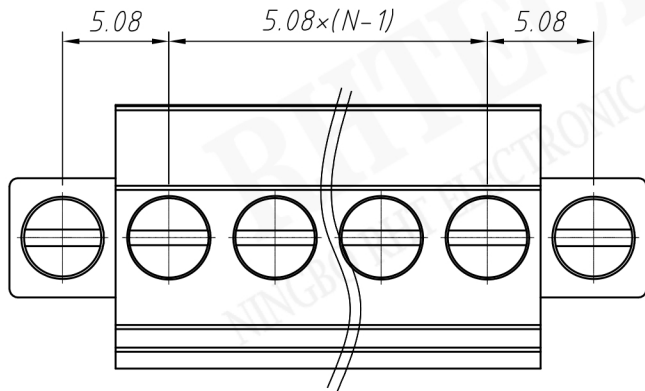
Order Information

RE - C - EDKAM - 5.00 - XXP - 4 S 00

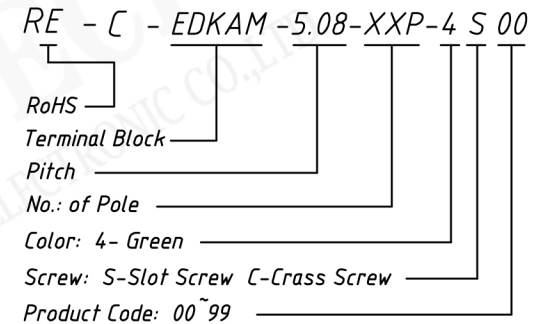




- Material**
- Housing:** PA66, UL94V-0
 - Cage:** Brass, Ni plated
 - Clamp:** Phosphor bronze, Ni plated
 - Screws:** M3.0, Steel, Zn plated
- Electrical**
- Rated voltage:** 300V
 - Rated current:** 15A
 - Contact Resistance:** 20 mΩ
 - Insulation resistance:** 500MΩ/DC500V
 - Withstand voltage:** AC2000V / 1min
 - Wire Range:** 28~14AWG 1.5mm²
- Mechanical**
- Temp. Range:** -40 °C ~ +105 °C
 - Strip length:** 7~8mm
 - Torque:** 0.5Nm(4.5Lbin)



Order Information



NINGBO RHT ELECTRONIC CO.,LTD

UNITS:mm	SHEET SIZE:A4		SCALE: ---	First angle projection TERMINAL BLOCK
> 0~3	> 3~18	> 18~50	> 50~120	
± 0.12	± 0.15	± 0.3	± 0.5	