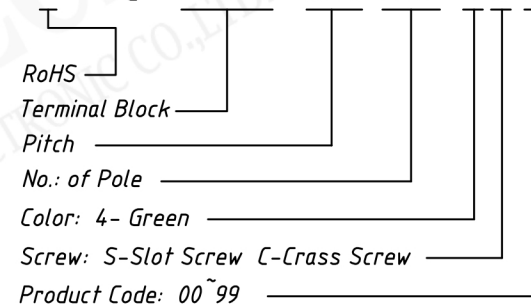


Material
 Housing: PA66, UL 94V-0
 Cage: Brass, Ni plated
 Clamp: Phosphor bronze, Ni plated
 Screws: M3.0, Steel, Zn plated

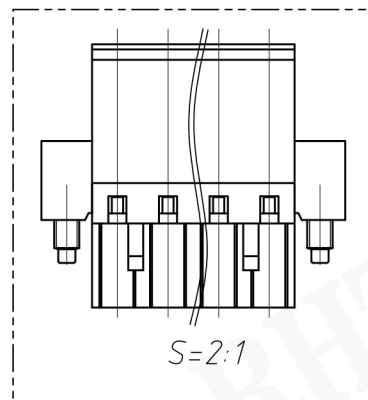
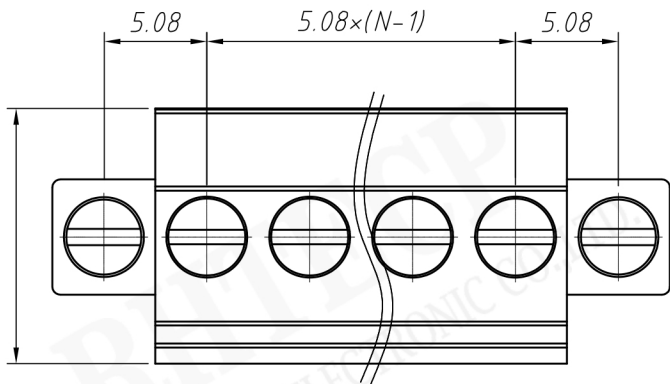
Electrical
 Rated voltage: 300V
 Rated current: 15A
 Contact Resistance: 20 m Ω
 Insulation resistance: 500MΩ/DC500V
 Withstand voltage: AC2000V / 1 min
 Wire Range: 28 ~ 14AWG 1.5mm²
 Mechanical
 Temp. Range: -40 °C ~ +105 °C
 Strip length: 7 ~ 8mm
 Torque: 0.5Nm (4.5Lbin)

Order Information

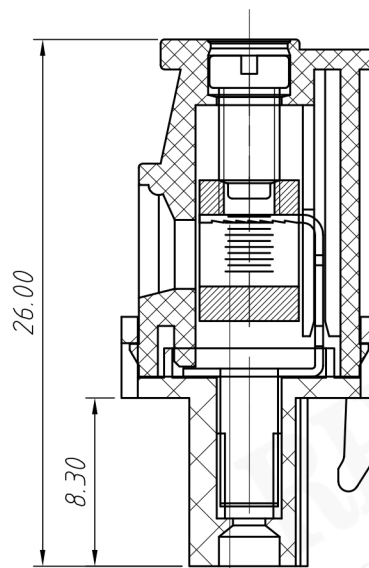
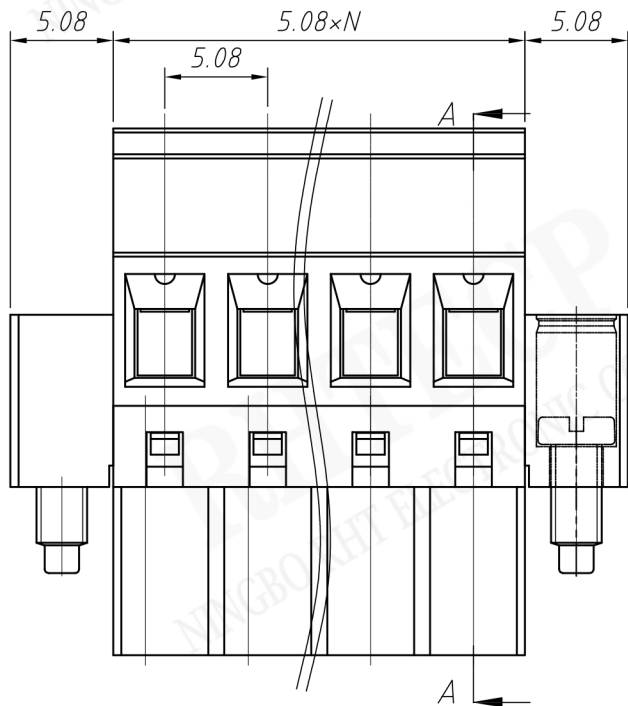
RE - C - EDKBM - 5.00 - XXP - 4 S 00



UNITS:mm	SHEET SIZE:A4		SCALE: ---	First angle projection TERMINAL BLOCK
> 0 ~ 3 ± 0.12	> 3 ~ 18 ± 0.15	> 18 ~ 50 ± 0.3	> 50 ~ 120 ± 0.5	



Material
Housing: PA66, UL94V-0
Cage: Brass, Ni plated
Clamp: Phosphor bronze, Ni plated
Screws: M3.0, Steel, Zn plated
Electrical
Rated voltage: 300V
Rated current: 15A
Contact Resistance: 20 mΩ
Insulation resistance: 500MΩ/DC500V
Withstand voltage: AC2000V / 1min
Wire Range: 28~14AWG 1.5mm²
Mechanical
Temp. Range: -40 °C ~ +105 °C
Strip length: 7~8mm
Torque: 0.5Nm(4.5Lbin)



Order Information

RE - C - EDKBM - 5.08 - XXP - 4 S 00

RoHS
 Terminal Block
 Pitch
 No.: of Pole
 Color: 4- Green
 Screw: S-Slot Screw C-Cross Screw
 Product Code: 00~99



NINGBO RHT ELECTRONIC CO.,LTD

UNITS:mm

SHEET SIZE:A4

SCALE: ---



> 0~3

> 3~18

> 18~50

> 50~120

± 0.12

± 0.15

± 0.3

± 0.5

TERMINAL BLOCK