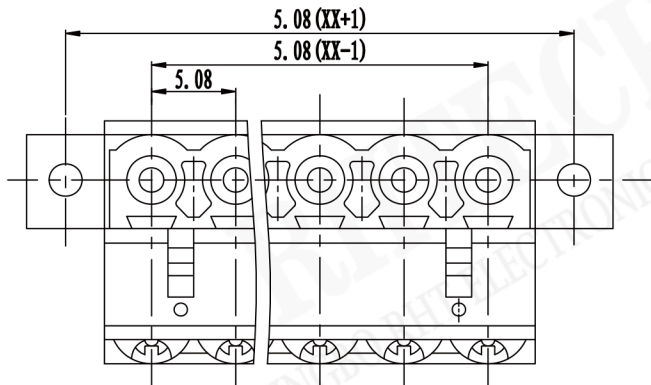


SECTION A-A



RE-C-EDKEM-5.00/5.08 Series Pitch=5.00mm/5.08mm

Electrical :

- Rated voltage: 300V
- Rated current: 15A
- Contact resistance: 20mΩ
- Insulation resistance: 5000MΩ/1000V
- Withstanding Voltage: AC1500V/1Min

Material

- Housing: Pa66, UL94V-0
- Screws: M2.5, steel, Zinc plated
- Contact : Phosphor Bronze

Mechanical

- Temp. Range: -40°C~+105°C
- MAX Soldering: +250°C for 5 Sec
- Wire range: 28-12AWG 2.5mm²
- Torque: 0.4Nm (3.6Lb. in)
- Strip length: 7-8 mm

Product NO.: RE-C-EDKEM-5.00-XXP X X



UNITS:mm	SHEET SIZE:A4		SCALE: ---
> 0~ 3	> 3~ 18	> 18~ 50	> 50~ 120
± 0.12	± 0.15	± 0.3	± 0.5



TERMINAL BLOCK