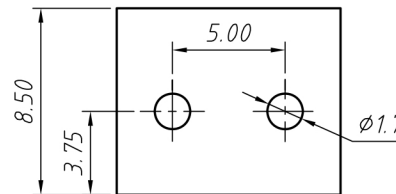
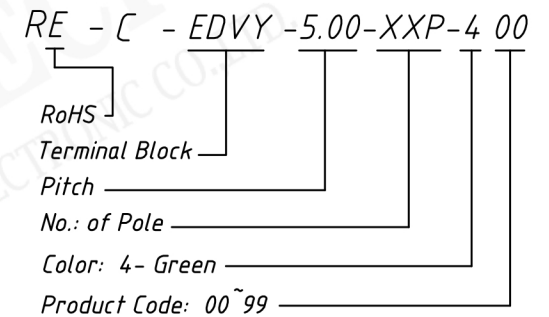


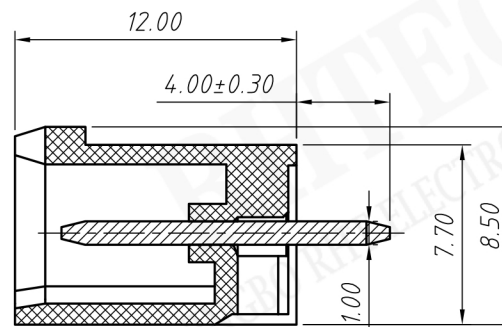
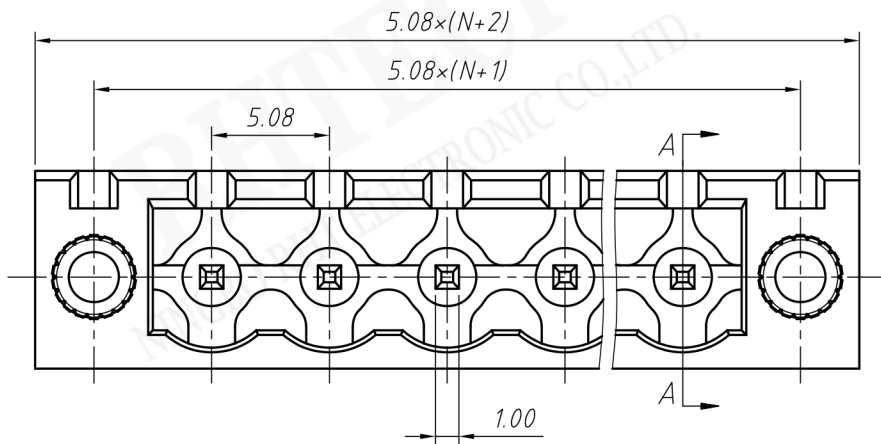
SECTION A-A



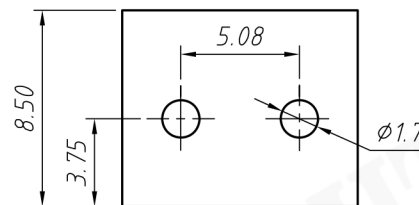
- Material**  
**Housing:** PA66, UL94V-0  
**Pin header:** Brass, Tin plated  
**Nut:** M2.5, Brass
- Electrical**  
**Rated voltage:** 300V  
**Rated current:** 15A  
**Contact Resistance:** 20 m Ω  
**Insulation resistance:** 500MΩ/DC500V  
**Withstand voltage:** AC2000V / 1 min
- Mechanical**  
**Temp. Range:** -40 °C ~ +105 °C

**Order Information**





SECTION A-A



- Material
- Housing: PA66, UL94V-0
- Pin header: Brass, Tin plated
- Nut: M2.5, Brass
- Electrical
- Rated voltage: 300V
- Rated current: 15A
- Contact Resistance: 20 mΩ
- Insulation resistance: 500MΩ/DC500V
- Withstand voltage: AC2000V / 1 min
- Mechanical
- Temp. Range: -40 °C ~ +105 °C

Order Information

RE - C - EDVY - 5.08 - XXP - 4 00

RoHS

Terminal Block

Pitch

No.: of Pole

Color: 4- Green

Product Code: 00 ~ 99