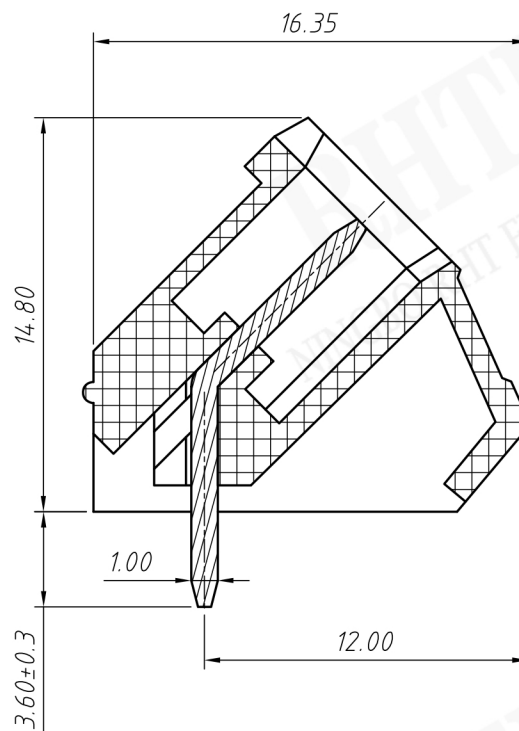


TOLERANCES EXCEPT AS NOTED



SECTION A-A



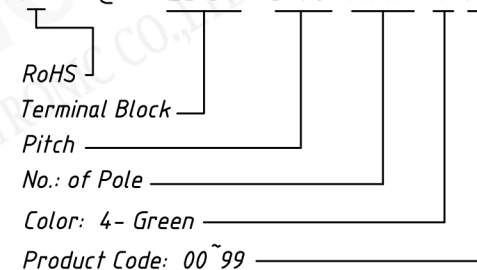
Material
 Housing: PA66, UL94V-0
 Pin header: Brass, Tin plated

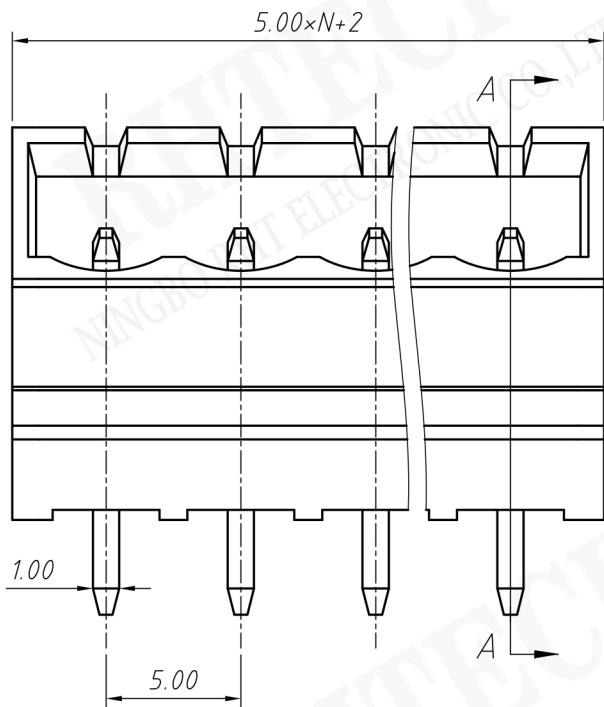
Electrical
 Rated voltage: 300V
 Rated current: 15A
 Contact Resistance: 20 mΩ
 Insulation resistance: 500MΩ/DC500V
 Withstand voltage: AC2000V / 1min

Mechanical
 Temp. Range: -40 °C ~ +105 °C

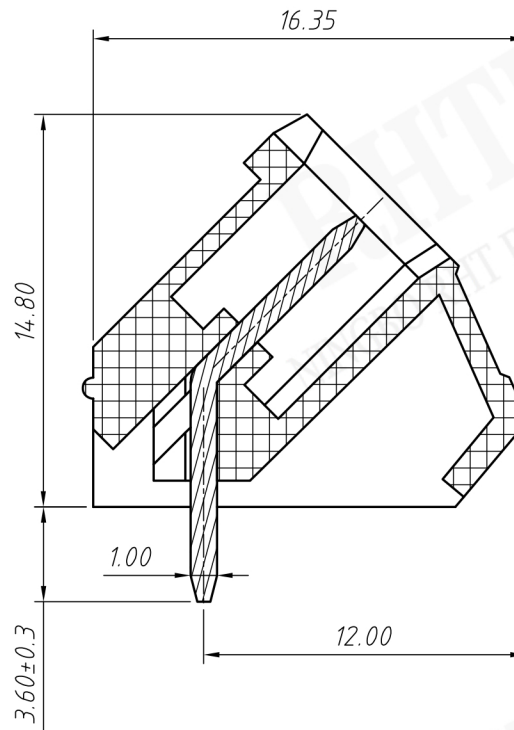
Order Information

RE - C - EDCY - 5.08 - XXP - 4 00





TOLERANCES EXCEPT AS NOTED



SECTION A-A



- Material
- Housing: PA66, UL94V-0
- Pin header: Brass, Tin plated
- Electrical
- Rated voltage: 300V
- Rated current: 15A
- Contact Resistance: 20 mΩ
- Insulation resistance: 500MΩ/DC500V
- Withstand voltage: AC2000V / 1 min
- Mechanical
- Temp. Range: -40 °C ~ +105 °C

Order Information

RE - C - EDCY - 5.00 - XXP - 4 00

