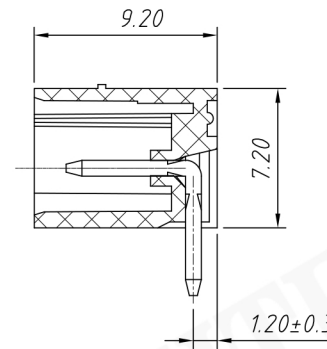
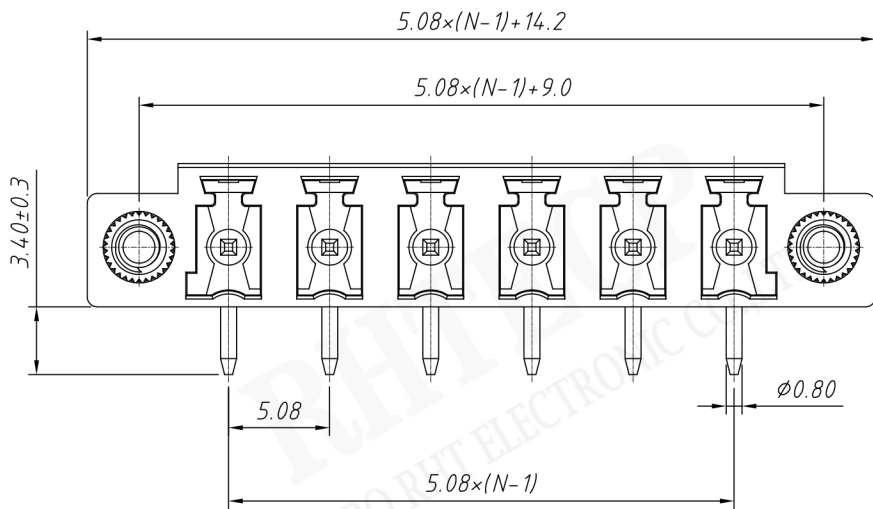
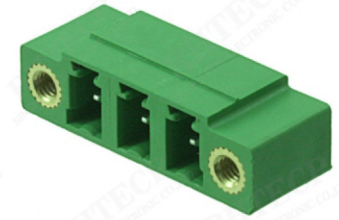


PCB LAYOUT



GENERAL TOLERANCE X. ±0.60  
ANGLE TOLERANCE X. ±5°

**Material**  
**Housing:** PA66, UL94V-0  
**Pin header:** Brass, Tin plated  
**Electrical**  
**Rated voltage:** 300V  
**Rated current:** 8A  
**Contact Resistance:** 20 mΩ  
**Insulation resistance:** 500MΩ/DC500V  
**Withstand voltage:** AC2000V / 1 min  
**Mechanical**  
**Temp. Range:** -40 °C ~ +105 °C

**Order Information**

RE - C - EDKFRM - 5.08 - XXP - 4 00  
 RoHS  
 Terminal Block  
 Pitch  
 No.: of Pole  
 Color: 4 - Green  
 Product Code: 00 ~ 99