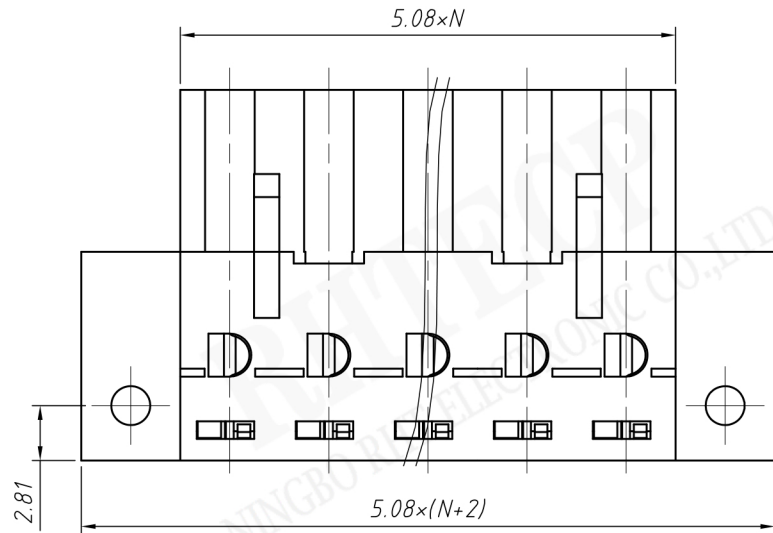
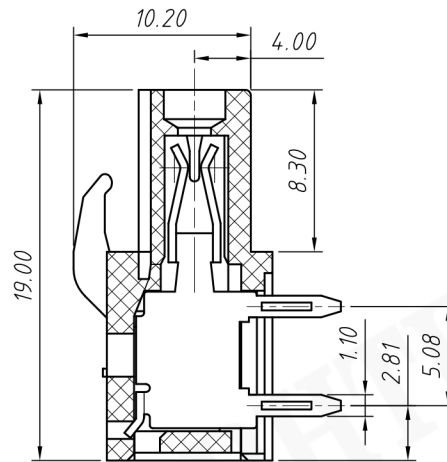
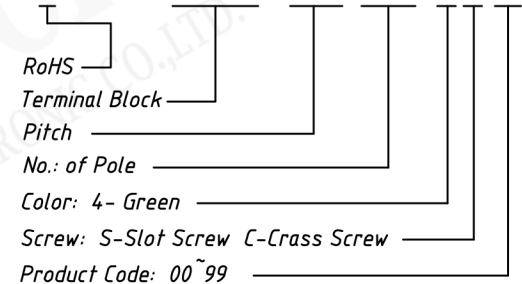


Material
Housing: PA66, UL94V-0
Nut: M2.5, Brass
Clamp: Phosphor bronze, Tin plated

Electrical
Rated voltage: 300V
Rated current: 15A
Contact Resistance: 20 mΩ
Insulation resistance: 500MΩ/DC500V
Withstand voltage: AC2000V / 1min
Mechanical
Temp. Range: -40 °C ~ +105 °C

Order Information

RE - C - EDKRM - 5.08 - XXP - 4 S 00



UNITS:mm		SHEET SIZE:A4		SCALE: ---	
> 0 ~ 3	> 3 ~ 18	> 18 ~ 50	> 50 ~ 120		
± 0.12	± 0.15	± 0.3	± 0.5		