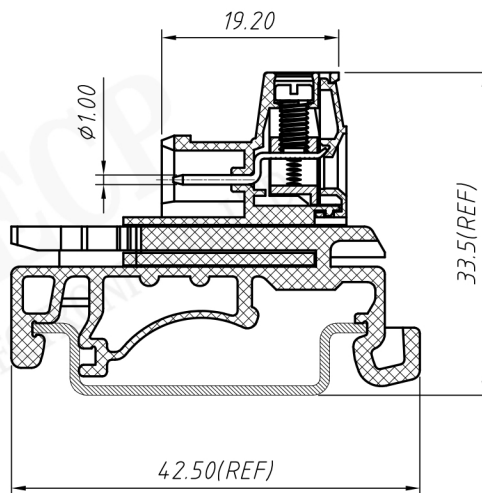


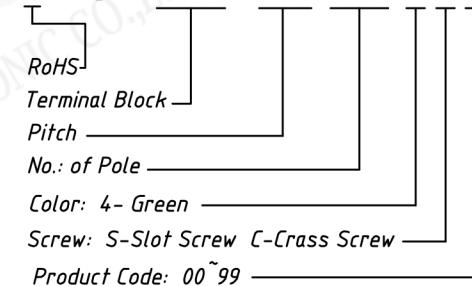
Material
 Housing: PA66, UL94V-0
 Screws: M3 Steel, Zn plated
 Pin header: Brass, Tin plated
 Cage: Brass, Tin plated

Electrical
 Rated voltage: 300V
 Rated current: 15A
 Contact Resistance: 20 m Ω
 Insulation resistance: 500MΩ/DC500V
 Wire range: 28-14 AWG 2.5mm²
 Withstand voltage: AC2000V / 1 min
 Mechanical
 Torque: 0.5NM(4.5Lb.in)
 Steip length: 7-8mm
 Temp. Range: -40 °C ~ +105 °C

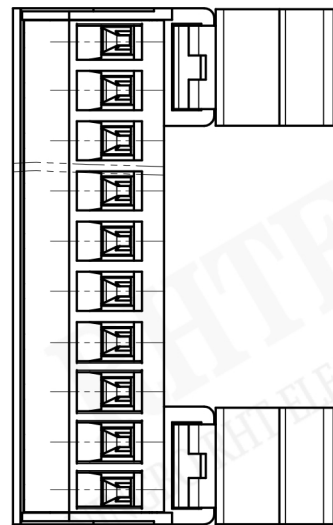
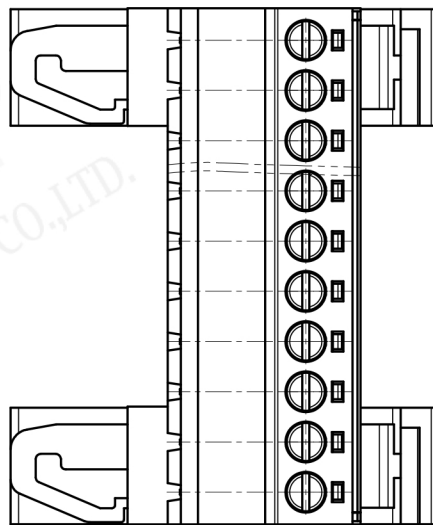
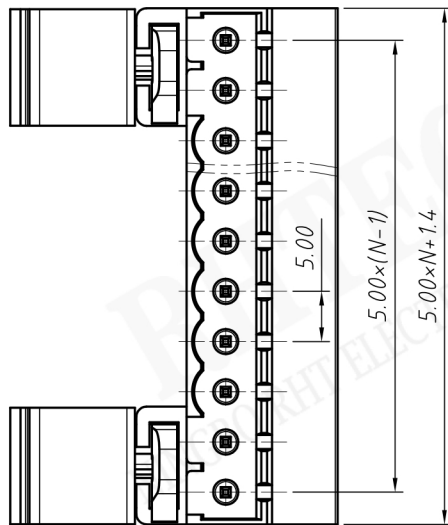


Order Information

RE - C - DGNU - 5.08 - XXP - 4 S 00

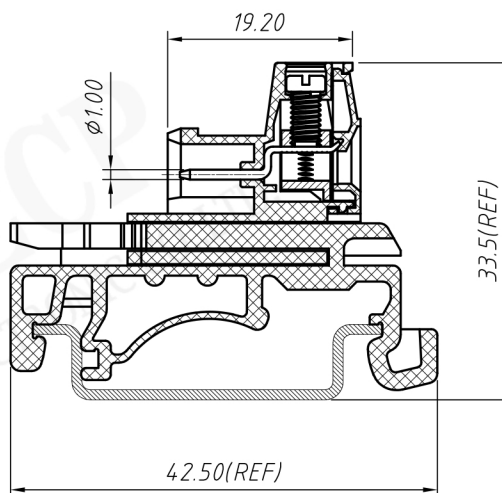


UNITS:mm	SHEET SIZE:A4		SCALE: ---
> 0 ~ 3	> 3 ~ 18	> 18 ~ 50	> 50 ~ 120
± 0.12	± 0.15	± 0.3	± 0.5



Material
Housing: PA66, UL94V-0
Screws: M3 Steel, Zn plated
Pin header: Brass, Tin plated
Cage: Brass, Tin plated

Electrical
Rated voltage: 300V
Rated current: 15A
Contact Resistance: 20 mΩ
Insulation resistance: 500MΩ/DC500V
Wire range: 28-14 AWG 2.5mm²
Withstand voltage: AC2000V / 1 min
Mechanical
Torque: 0.5NM(4.5Lb.in)
Steip length: 7-8mm
Temp. Range: -40 °C ~ +105 °C



Order Information

RE - C - DGNU - 5.00 - XXP - 4 S 00
 RoHS _____
 Terminal Block _____
 Pitch _____
 No.: of Pole _____
 Color: 4- Green _____
 Screw: S-Slot Screw C-Cross Screw _____
 Product Code: 00~99 _____