



Material

Housing: PA66, UL94V-0
 Cage: Brass, Nickel plated
 Clamp: Phosphor bronze, Nickel plated
 Screw: M3 Steel, Zn plated

Electrical

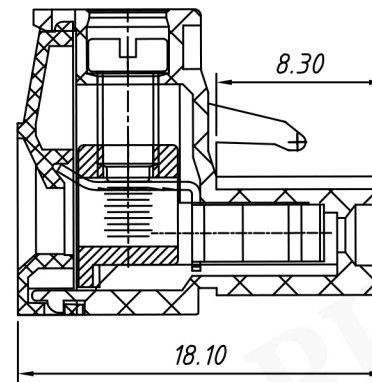
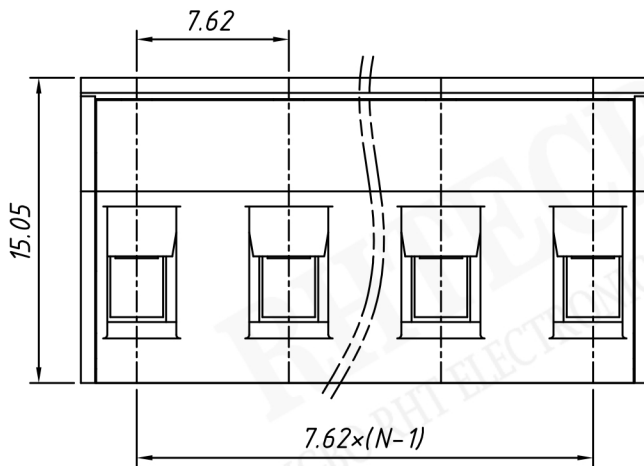
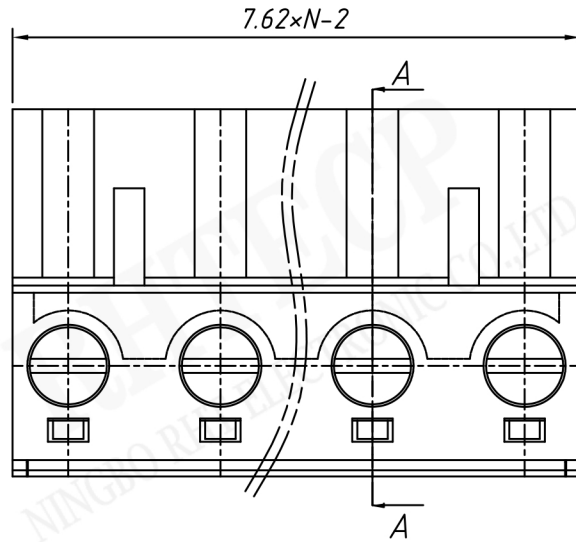
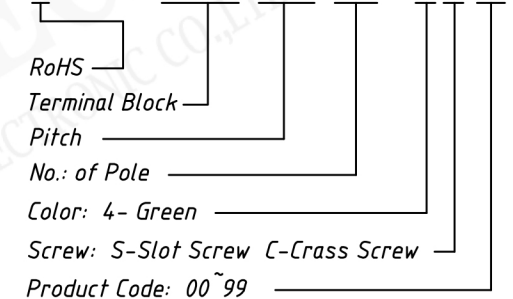
Rated voltage: 300V
 Rated current: 15A
 Contact Resistance: 20 mΩ
 Insulation resistance: 500MΩ/DC500V
 Withstand voltage: AC2000V / 1 min
 Wire Range: 28~14AWG 2.5mm²

Mechanical

Temp. Range: -40 °C ~ +105 °C
 Strip length: 7~8mm
 Torque: 5.1kgf-cm(4.43Lbin)

Order Information

RE - C - EDK - 7.62 - XXP - 4 S 00



SECTION A-A

