

Material

Pin header: Brass, Tin plated

Housing: PA66, UL94V-0

Electrical

Rated voltage: 300V

Rated current: 15A

Contact Resistance: 20 mΩ

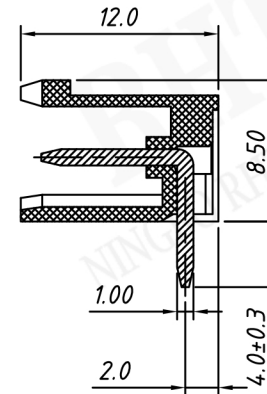
Insulation resistance: 500MΩ/DC500V

Withstand voltage: AC2000V / 1 min

Mechanical

Temp. Range: -40 °C ~ +105 °C

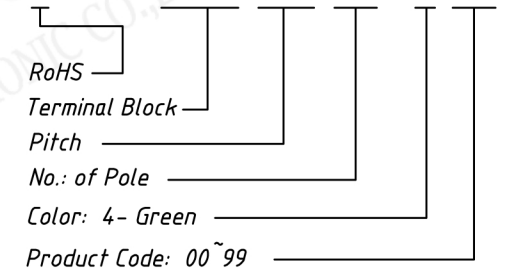
Soldering: 250°C 5Sec. Max.

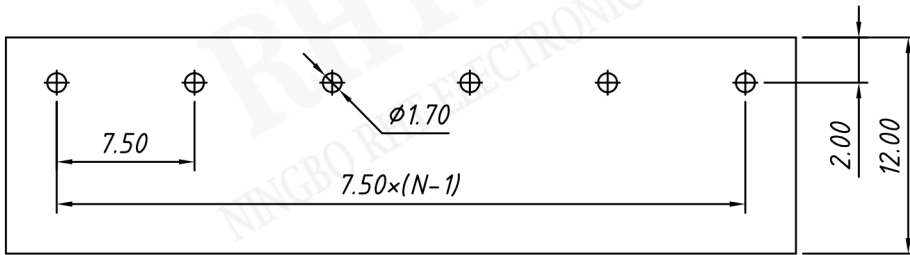
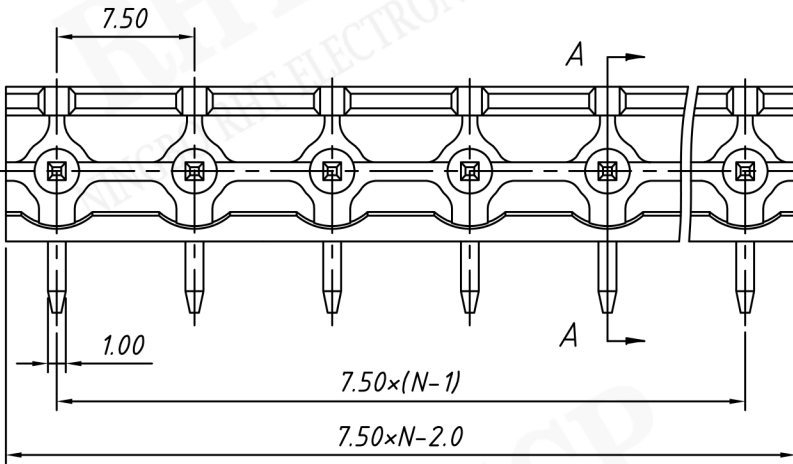
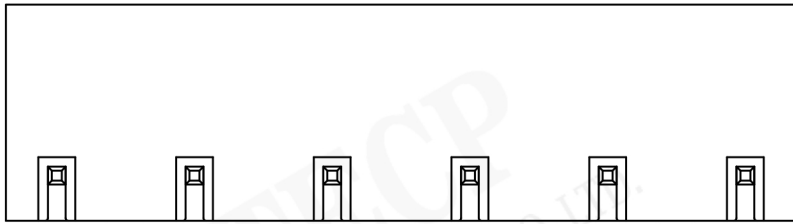


SECTION A-A

Order Information

RE - C - EDR - 7.62 - XXP - 4 XX





PCB LAYOUT



Material

Pin header: Brass, Tin plated

Housing: PA66, UL94V-0

Electrical

Rated voltage: 300V

Rated current: 15A

Contact Resistance: 20 mΩ

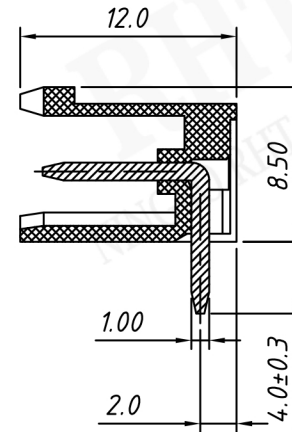
Insulation resistance: 500MΩ/DC500V

Withstand voltage: AC2000V / 1 min

Mechanical

Temp. Range: -40 °C ~ +105 °C

Soldering: 250°C 5Sec. Max.



SECTION A-A

Order Information

RE - C -EDR -7.50-XXP-4 XX

RoHS

Terminal Block

Pitch

No.: of Pole

Color: 4- Green

Product Code: 00~99