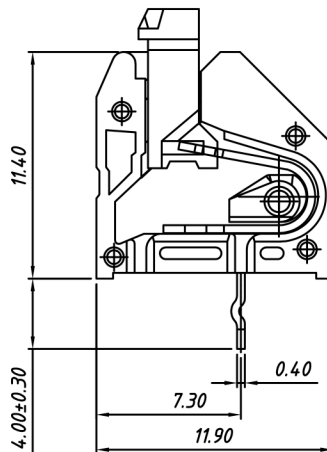


C type PCB LAYOUT



SECTION A-A



Material

Pin header: Phosphor bronze , Tin plated

Housing: PA66 , UL94V-0

Electrical

Rated voltage: 300V

Rated current: 7A

Wire range: 26 ~ 16AWG 1.5mm²

Contact Resistance: 20 m Ω

Insulation resistance: 500MΩ/DC500V

Withstand voltage: AC2000V / 1 min

Mechanical

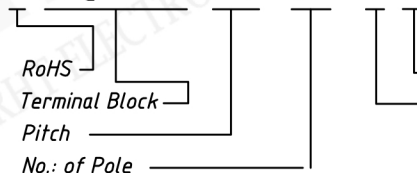
Temp. Range: -40 °C ~ +105 °C

Soldering: 250°C±5°C for 5S

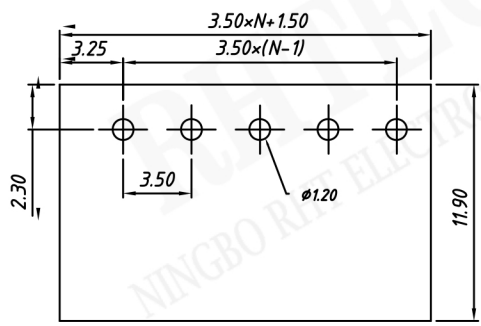
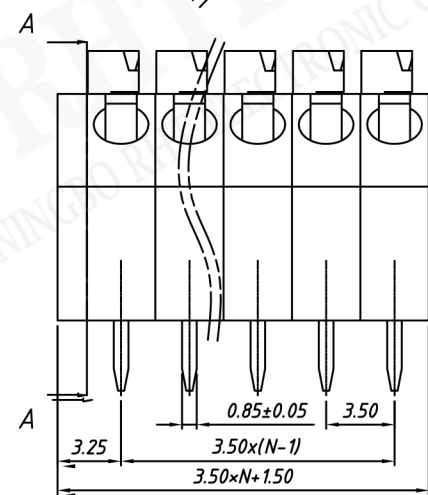
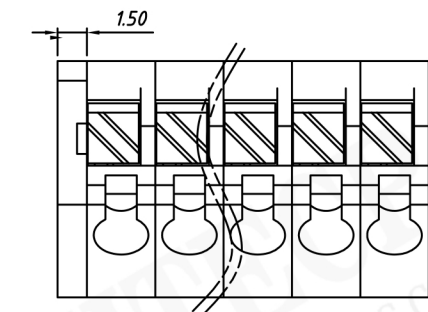
Strip length: 9 ~ 10 mm

Order Information

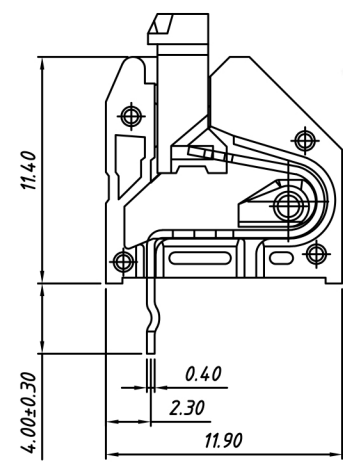
RE - C - 3.50V-5.00-XXP-1 C



Product Code:C
Color: 1-Gray
5-Orange



D type PCB LAYOUT

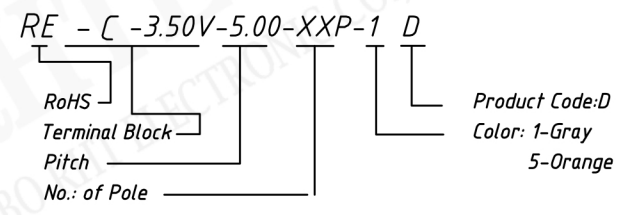


SECTION A-A



Material
 Pin header: Phosphor bronze , Tin plated
 Housing: PA66 , UL94V-0
Electrical
 Rated voltage: 300V
 Rated current: 7A
 Wire range: 26 ~ 16AWG 1.5mm²
 Contact Resistance: 20 mΩ
 Insulation resistance: 500MΩ/DC500V
 Withstand voltage: AC2000V / 1 min
Mechanical
 Temp. Range: -40 °C ~ +105 °C
 Soldering: 250 °C ± 5 °C for 5S
 Strip length: 9 ~ 10 mm

Order Information



UNITS:mm	SHEET SIZE:A4		SCALE: ---
> 0 ~ 3	> 3 ~ 18	> 18 ~ 50	> 50 ~ 120
± 0.12	± 0.15	± 0.3	± 0.5