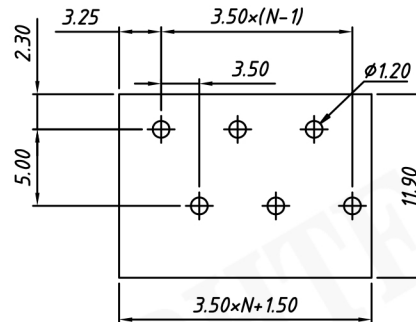


B type PCB LAYOUT



A type PCB LAYOUT



**Material**

Pin header: Phosphor bronze , Tin plated

Housing: PA66 , UL94V-0

**Electrical**

Rated voltage: 300V

Rated current: 7A

Wire range: 26~16AWG 1.5mm<sup>2</sup>

Contact Resistance: 20 mΩ

Insulation resistance: 500MΩ/DC500V

Withstand voltage: AC2000V / 1min

**Mechanical**

Temp. Range: -40 °C ~ +105 °C

Soldering: 250° C±5° C for 5S

Strip length: 9~10 mm

**Order Information**

RE - C-3.50V-5.00-XXP-1 A

