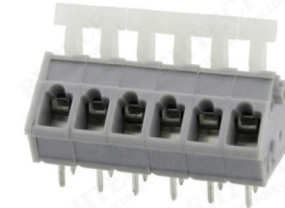


PCB LAYOUT



Material

Housing: PA66, UL94V-0

Pin header: Brass, Tin plated

Wire guard: Stainless steel

Electrical

Rated voltage: 300V

Rated current: 10A

Wire range: 26 ~ 14AWG 1.5mm²

Contact Resistance: 20 mΩ

Insulation resistance: 500MΩ/DC500V

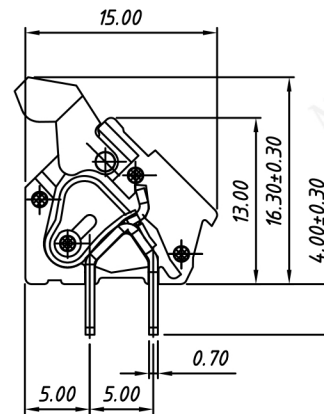
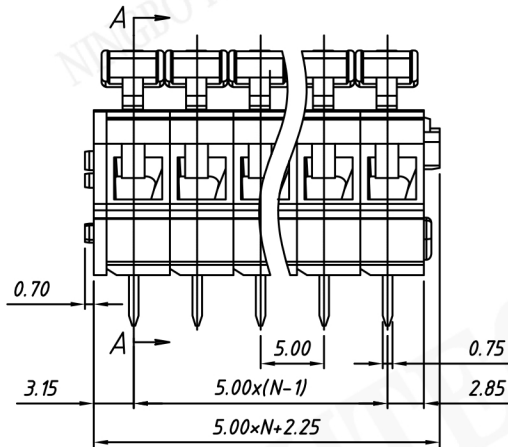
Withstand voltage: AC2000V / 1 min

Mechanical

Temp. Range: -40 °C ~ +105 °C

Soldering: 250 °C ± 5 °C for 5S

Strip length: 5 ~ 6mm



SECTION A-A

Order Information

RE - C-243V-5.00-XXP- 1 xx

RoHS

Terminal Block

Pitch

No.: of Pole

Product Code:00 ~ 99

Color: 1-Gray