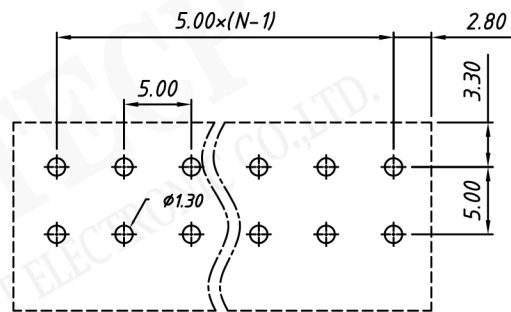


Material
 Housing: PA66, UL94V-0
 Pin header: Brass, Tin plated
 Wire guard: Stainless steel

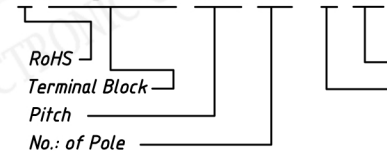
Electrical
 Rated voltage: 300V
 Rated current: 15A
 Wire range: 28~12AWG 2.5mm²
 Contact Resistance: 20 mΩ
 Insulation resistance: 500MΩ/DC500V
 Withstand voltage: AC2000V / 1 min
 Mechanical
 Temp. Range: -40 °C ~ +105 °C
 Soldering: 250 °C ± 5 °C for 5S
 Strip length: 5~6 mm



PCB LAYOUT

Order Information

RE - C - 242R - 5.00 - XXP - 1 xx



Product Code: 00~99
 Color: 1-Gray
 5-Orange