

SECTION A-A



Material

Screw: M3.0, Steel, Ni Plated

Pin header: Brass, 0.8t, Tin Plated

Housing: PA66, UL94V-0, Black

Electrical

Rated voltage: 300V

Rated current: 15A

Wire range: 22~14AWG 2.5mm²

Contact Resistance: 20 mΩ

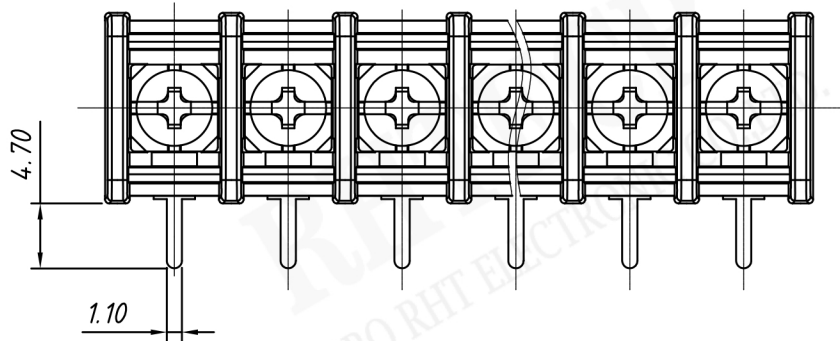
Insulation resistance: 500MΩ/DC500V

Withstand voltage: AC2000V / 1min

Mechanical

Temp. Range: -40 °C ~ +105 °C

Torque: 0.5Nm (4.5Lb.in)



Order Information

RE - C - 35 R - 8.25-XXP-B

B: Without Ears

No.: of Pole

Pitch: 8.25mm

Pin Type:

Barrier Terminal Block

Without Cover

RoHS