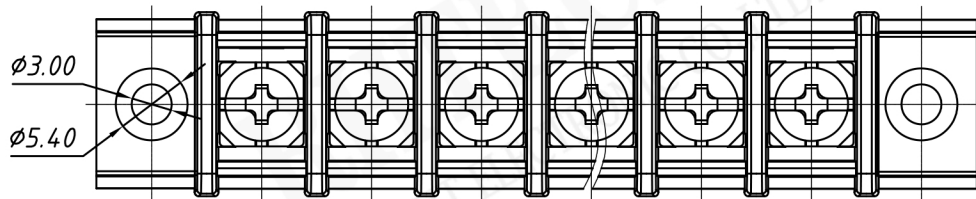


Material  
 Screw: M3.0, Steel, Ni Plated  
 Pin header: Brass, 0.8t, Tin Plated  
 Housing: PA66, UL 94V-0, Black

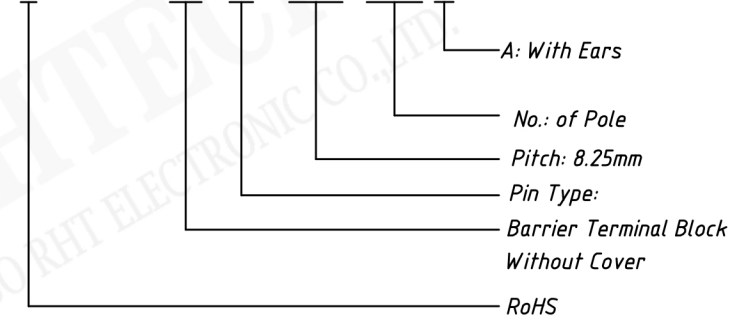
Electrical  
 Rated voltage: 300V  
 Rated current: 15A  
 Wire range: 22~14AWG 2.5mm<sup>2</sup>  
 Contact Resistance: 20 mΩ  
 Insulation resistance: 500MΩ/DC500V  
 Withstand voltage: AC2000V / 1 min

Mechanical  
 Temp. Range: -40 °C ~ +105 °C  
 Torque: 0.5Nm (4.5Lb.in)



Order Information

RE - C - 35 A - 8.25 - XXP - A



UNITS:mm		SHEET SIZE:A4		SCALE: ---	
> 0~ 3	> 3~ 18	> 18~ 50	> 50~ 120		
± 0.12	± 0.15	± 0.3	± 0.5		